

ARCHITECHNICS, INC.
510 MAINE STREET
QUINCY, ILLINOIS 62301

PROJECT NO. : 6573

ADDENDUM NO.: 3
ISSUED: 02/21/25

Project: New HVAC System For
Adams County (IL) Courthouse
521 Vermont Street
Quincy, Illinois 62301

This addendum becomes a part of the bidding and contract documents and modifies the drawings and specifications dated February 5, 2025. Acknowledge receipt of this addendum by noting such on the Bid Proposal Form.

FAILURE TO DO SO MAY SUBJECT BIDDER TO DISQUALIFICATION

ITEM	DESCRIPTION
<u>Substitutions</u>	
1.0 Section 23 0993 HVAC Controls	Add Trane could be accepted as an Voluntary Deduct but not accepted as part of Base Bid "A".
2.0 Section 23 2113 Hydronic Piping	Add Para. 2.05.C Victaulic is the only acceptable manufacturer.
3.0 Section 23 2113 Hydronic Piping	Add Para. 2.06.A, 2.07.A & 2.08.A Nibco as an acceptable manufacturer.
4.0 Section 23 2114 Hydronic Specialties	Add Para. 2.10.A.2 HCI as an acceptable manufacturer.
5.0 Section 23 5216 Condensing Boilers	Add Para. 2.01.A.3 Fulton Endura as an acceptable manufacturer.
6.0 Section 23 5216 Condensing Boilers	Add Para. 2.01.A.4 AERCO Benchmark as an acceptable manufacturer.
7.0 Section 23 7313 Indoor Air Handling Unit	Add Trane could be accepted as an Voluntary Deduct but not accepted as part of Base Bid "A".
8.0 Section 23 7314 IT Room Cooling Unit	Add Trane as an acceptable manufacturer.
9.0 Section 23 7416 Air Cooled Condensing Unit	Add Trane could be accepted as an Voluntary Deduct but not accepted as part of Base Bid "A".
10.0 Packaged Rooftop Units	Add Trane as an acceptable manufacturer.
11.0 Ductless Splits	Add Trane as an acceptable manufacturer.

Specifications

- | | | | |
|-----|--|--------|--|
| 1.0 | Section 00 2115
Para. 17 | Revise | Contractors are allowed on site (and within building) between 7:00 a.m. - 10:00 p.m. <u>(No work will be allowed between 10:00 p.m. - 7:00 a.m.)</u> . Work in the areas of the State's Attorney Offices, Circuit Clerk Offices and Probation Offices can only occur between 4:30 p.m. - 10:00 p.m. (there are no exceptions). |
| 2.0 | Section 23 1123
Facility Natural Gas Piping | Add | Para. 2.01.A. MegaPress fittings are acceptable in non-concealed areas. |

Drawings

- | | | | |
|-----|---|---------|--|
| 1.0 | H300
Heating Schedules & Details | Revise | Pumps P-1 & P-2 as shown in the schedule including note regarding VFD's. |
| 2.0 | E10B
Keyed Note #8 | Revise | Provide Square D S-Flex 7.5HP Drive or equal. Provide with disconnect and LCD Display. |
| 3.0 | E300
Electrical Schedules, Legends & Details | Revise | Provide MDP with internal or external surge protection device (TVSS) rated for a minimum of 200kA. Provide with surge counter. |
| 4.0 | S103
Third Floor | Replace | Replace drawing in its entirety. |
| 5.0 | S105
Roof Level | Replace | Replace drawing in its entirety. |
| 6.0 | S300
Concrete Details | Replace | Replace drawing in its entirety. |

Attachments: Proposed Equivalent Product Substitution Forms; Dwgs. H300, S103, S105, S300.

End of Addendum No. 3

SECTION 00 4325
PROPOSED EQUIVALENT PRODUCT REQUEST FORM

TO: Architechnics

Project: NEW HVAC SYSTEM FOR ADAMS COUNTY (IL) COURTHOUSE

We hereby submit for your consideration the following product instead of the specified item for the above project:

<u>Section</u>	<u>Paragraph</u>	<u>Specified Item</u>
235216	2.01 A.1	Lochinvar

Proposed Equivalent Product: Fulton Endura EXE-1000

Attach complete technical data including laboratory test if applicable.
Include complete information changes to Drawings and/or Specifications which proposed equivalent product require for proper installation.

Fill in blanks below, use additional sheets if necessary:

- A. Does the proposed equivalent product affect dimensions shown on Drawings?
No
- B. Will the undersigned pay for changes to building design, including engineering and detailing costs caused by proposed equivalent product, if any?
No
- C. What effect does proposed equivalent product have on other trades?
None
- D. Differences between proposed equivalent product and specified item?
See page # 2 and attached data sheets
- E. Manufacturer's guarantees of proposed and specified items are:

- x Same _____ Different (explain on attachment)

The undersigned states that the function, appearance and quality are equivalent or superior to the specified item.

Submitted by:
Dave Westbrook
Signature
Dave Westbrook
Firm Blackmore and Glunt, inc
Address 12 Kimler
Maryland Heights, MO 63043
Telephone 314-878-4313

For use by Design Consultant

Accepted Accepted as Noted
Not Accepted Received too Late
By HMM
Date 02/17/25
Remarks APPROVAL AT THIS TIME - FULTON
MUST MEET SPECIFICATIONS
IF SELECTED.

SECTION 00 4325
PROPOSED EQUIVALENT PRODUCT REQUEST FORM

TO: Architechnics

Project: NEW HVAC SYSTEM FOR ADAMS COUNTY (IL) COURTHOUSE

We hereby submit for your consideration the following product instead of the specified item for the above project:

<u>Section</u>	<u>Paragraph</u>	<u>Specified Item</u>
23 5216 - CONDENSING BOILERS	PART 2 PRODUCTS	2.01 MANUFACTURERS

Proposed Equivalent Product: AERCO Benchmark 1000 Boiler

Attach complete technical data including laboratory test if applicable.
Include complete information changes to Drawings and/or Specifications which proposed equivalent product require for proper installation.

Fill in blanks below, use additional sheets if necessary:

- A. Does the proposed equivalent product affect dimensions shown on Drawings?
No
- B. Will the undersigned pay for changes to building design, including engineering and detailing costs caused by proposed equivalent product, if any?
N/A
- C. What effect does proposed equivalent product have on other trades?
N/A
- D. Differences between proposed equivalent product and specified item?
Increased Turn Down Ratio of 20:1, Decreased Pressure Drop Across the Boiler, Longer Warranty Terms,
- E. Manufacturer's guarantees of proposed and specified items are:
Longer Standard Warranty
- Same Different (explain on attachment)

The undersigned states that the function, appearance and quality are equivalent or superior to the specified item.

Submitted by:
Jason Ayres
Signature Jason Ayres
Firm Bornquist Inc. - Sandberg Co.
Address 5004 8th Ave.
East Moline, IL 61244
Telephone 309-796-2371

For use by Design Consultant
Accepted Accepted as Noted
Not Accepted Received too Late
By HLW
Date 02/18/25
Remarks Approved at this time. AERCO
Must meet full specifications if
Selected.

SECTION 00 4325
PROPOSED EQUIVALENT PRODUCT REQUEST FORM

TO: Architechnics

Project: NEW HVAC SYSTEM FOR ADAMS COUNTY (IL) COURTHOUSE

We hereby submit for your consideration the following product instead of the specified item for the above project:

<u>Section</u>	<u>Paragraph</u>	<u>Specified Item</u>
23 0993	HVAC Controls	Controls

Trane

Proposed Equivalent Product: _____

Attach complete technical data including laboratory test if applicable.
Include complete information changes to Drawings and/or Specifications which proposed equivalent product require for proper installation.

Fill in blanks below, use additional sheets if necessary:

A. Does the proposed equivalent product affect dimensions shown on Drawings? Yes

B. Will the undersigned pay for changes to building design, including engineering and detailing costs caused by proposed equivalent product, if any? Yes

C. What effect does proposed equivalent product have on other trades? No

~~D. Differences between proposed equivalent product and specified item?
Trane is a top tier controls provider and will be quoted as "only valid if with Trane" equipment. If Trane has the right price on equipment and gets installed also having trane controls can make the project go very smooth.~~

E. Manufacturer's guarantees of proposed and specified items are:

X Same _____ Different (explain on attachment)

The undersigned states that the function, appearance and quality are equivalent or superior to the specified item.

Submitted by:

Jordan Cummings

Signature

Jordan Cummings

Firm

Trane Davenport

Address

4001 Grand Ave.
Davenport, IA 52807

Telephone

563-271-4062

For use by Design Consultant

Accepted

Accepted as Noted

Not Accepted

Received too Late

By

[Signature]

Date

02/20/25

Remarks

COULD BE ACCEPTED AS A
VOLUNTARY DEDUCT, BUT NOT
PART OF BASE B.I.D "A"

SECTION 00 4325
PROPOSED EQUIVALENT PRODUCT REQUEST FORM

TO: Architechnics
Project: NEW HVAC SYSTEM FOR ADAMS COUNTY (IL) COURTHOUSE

We hereby submit for your consideration the following product instead of the specified item for the above project:

Section	Paragraph	Specified Item
23 7313	AHU Spec	AHU G-1E

Proposed Equivalent Product: Trane

Attach complete technical data including laboratory test if applicable. Include complete information changes to Drawings and/or Specifications which proposed equivalent product require for proper installation.

Fill in blanks below, use additional sheets if necessary:

- A. Does the proposed equivalent product affect dimensions shown on Drawings?
Reasonably close. Drawings will be submitted to contractors prior to bid.
- B. Will the undersigned pay for changes to building design, including engineering and detailing costs caused by proposed equivalent product, if any? Yes
- C. What effect does proposed equivalent product have on other trades? No
- D. Differences between proposed equivalent product and specified item?
Less custom options, but able to meet intent and capacity of a RF/SF with DX and HW coil config.
- E. Manufacturer's guarantees of proposed and specified items are:
Same (Minor items) Different (explain on attachment)

The undersigned states that the function, appearance and quality are equivalent or superior to the specified item. The spec calls specific lights, breaker, and other brands. I may not be able to use that exact brand but will meet performance, fan config etc.

Submitted by: Jordan Cummings
Signature: Jordan Cummings
Firm: Trane Davenport
Address: 4801 Grand Ave. Davenport, IA 52807
Telephone: 563-271-4062

For use by Design Consultant
Accepted Accepted as Noted
Not Accepted Received too Late
By: [Signature]
Date: 02/26/25
Remarks: COULD BE ACCEPTED AS A VOLUNTARY REDUCT, BUT NOT PART OF BASE B.O "A"

SECTION 00 4325
PROPOSED EQUIVALENT PRODUCT REQUEST FORM

TO: Architechnics
Project: NEW HVAC SYSTEM FOR ADAMS COUNTY (IL) COURTHOUSE

We hereby submit for your consideration the following product instead of the specified item for the above project:

Section	Paragraph	Specified Item
23 7314	IT Room Cooling Unit	CRAC Unit Stulz

Proposed Equivalent Product: _____

Attach complete technical data including laboratory test if applicable. Include complete information changes to Drawings and/or Specifications which proposed equivalent product require for proper installation.

Fill in blanks below, use additional sheets if necessary:

- A. Does the proposed equivalent product affect dimensions shown on Drawings?
Reasonably close. Drawings will be submitted to contractors prior to bid.
- B. Will the undersigned pay for changes to building design, including engineering and detailing costs caused by proposed equivalent product, if any? Yes
- C. What effect does proposed equivalent product have on other trades? No
- D. Differences between proposed equivalent product and specified item?
Meet or exceed current BOB. Stulz is top tier CRAC manufacturer that has been established domestically and globally for many years.
- E. Manufacturer's guarantees of proposed and specified items are:
X Same _____ Different (explain on attachment)

The undersigned states that the function, appearance and quality are equivalent or superior to the specified item.

Submitted by:
Jordan Cummings
Signature Jordan Cummings
Trane Davenport
Firm 4801 Grand Ave.
Address Davenport, IA 52807
Telephone 563 271 4062

For use by Design Consultant
Accepted Accepted as Noted
Not Accepted Received too Late
By [Signature]
Date 02/19/25
Remarks _____

SECTION 00 4325
PROPOSED EQUIVALENT PRODUCT REQUEST FORM

TO: Architechnics

Project: NEW HVAC SYSTEM FOR ADAMS COUNTY (IL) COURTHOUSE

We hereby submit for your consideration the following product instead of the specified item for the above project:

Section	Paragraph	Specified Item
23 7416	Air Cooled CU Spec	CU G-1E

Proposed Equivalent Product: Trane

Attach complete technical data including laboratory test if applicable.
Include complete information changes to Drawings and/or Specifications which proposed equivalent product require for proper installation.

Fill in blanks below, use additional sheets if necessary:

- A. Does the proposed equivalent product affect dimensions shown on Drawings?
Reasonably close. Drawings will be submitted to contractors prior to bid.
- B. Will the undersigned pay for changes to building design, including engineering and detailing costs caused by proposed equivalent product, if any? Yes
- C. What effect does proposed equivalent product have on other trades? No
- D. Differences between proposed equivalent product and specified item?
Not utilizing digital scroll compressor, staying to avoid low refrigerant velocity/oil return.
- E. Manufacturer's guarantees of proposed and specified items are:
Same Different (explain on attachment)

The undersigned states that the function, appearance and quality are equivalent or superior to the specified item. evap at low load while maintaining appropriate velocity. I would consider this important with the amount of suction rise this system will experience.

Submitted by:
Jordan Cummings
Signature Jordan Cummings
Trane Davenport
Firm 4001 Grand Ave.
Address Davenport, IA 52807
Telephone 563-271-4062

For use by Design Consultant
Accepted Accepted as Noted
Not Accepted Received too Late
By [Signature]
Date 02/20/25
Remarks COULD BE ACCEPTED AS A VOLUNTARY DEDUCT, BUT NOT PART OF BASE BID "A"

SECTION 00 4325
PROPOSED EQUIVALENT PRODUCT REQUEST FORM

TO: Architechnics
Project: NEW HVAC SYSTEM FOR ADAMS COUNTY (IL) COURTHOUSE

We hereby submit for your consideration the following product instead of the specified item for the above project:

Section	Paragraph	Specified Item
No spec	Packaged RTU	All Packaged RTUs

Proposed Equivalent Product: Trane

Attach complete technical data including laboratory test if applicable. Include complete information changes to Drawings and/or Specifications which proposed equivalent product require for proper installation.

Fill in blanks below, use additional sheets if necessary:

- A. Does the proposed equivalent product affect dimensions shown on Drawings?
Reasonably close. Drawings will be submitted to contractors prior to bid.
- B. Will the undersigned pay for changes to building design, including engineering and detailing costs caused by proposed equivalent product, if any? Yes
- C. What effect does proposed equivalent product have on other trades? No
- D. Differences between proposed equivalent product and specified item?
Meets or exceeds all Carrier RTUs. No 3rd party controls needed for small VAV units.
- E. Manufacturer's guarantees of proposed and specified items are:
X Same Different (explain on attachment)

The undersigned states that the function, appearance and quality are equivalent or superior to the specified item.

Submitted by:
Jordan Cummings
Signature Jordan Cummings
Trane Davenport
Firm 4801 Grand Ave.
Address Davenport, IA 52807
563-271-4062
Telephone

For use by Design Consultant
Accepted Accepted as Noted
Not Accepted Received too Late
By [Signature]
Date 02/19/25
Remarks

SECTION 00 4325
PROPOSED EQUIVALENT PRODUCT REQUEST FORM

TO: Architechnics

Project: NEW HVAC SYSTEM FOR ADAMS COUNTY (IL) COURTHOUSE

We hereby submit for your consideration the following product instead of the specified item for the above project:

<u>Section</u>	<u>Paragraph</u>	<u>Specified Item</u>
No spec	Ductless Split	All Ductless Splits

Mitsubishi

Proposed Equivalent Product: _____

Attach complete technical data including laboratory test if applicable.
Include complete information changes to Drawings and/or Specifications which proposed equivalent product require for proper installation.

Fill in blanks below, use additional sheets if necessary:

A. Does the proposed equivalent product affect dimensions shown on Drawings?
Reasonably close. Drawings will be submitted to contractors prior to bid.

B. Will the undersigned pay for changes to building design, including engineering and detailing costs caused by proposed equivalent product, if any? Yes

C. What effect does proposed equivalent product have on other trades? No

D. Differences between proposed equivalent product and specified item?
Electrical will be slightly higher. I believe schedule is based on old 410A selections. I presume carrier will be higher as well.

E. Manufacturer's guarantees of proposed and specified items are:

X Same _____ Different (explain on attachment)

The undersigned states that the function, appearance and quality are equivalent or superior to the specified item.

Submitted by: Jordan Cummings

Signature Jordan Cummings
Firm Trane Davenport
Address 4801 Grand Ave.
Davenport, IA 52807
Telephone 563 271 4062

For use by Design Consultant

Accepted Accepted as Noted
Not Accepted Received too Late
By [Signature]
Date 02/19/25
Remarks _____

SECTION 00 4325
PROPOSED EQUIVALENT PRODUCT REQUEST FORM

TO: Architechnics

Project: NEW HVAC SYSTEM FOR ADAMS COUNTY (IL) COURTHOUSE

We hereby submit for your consideration the following product instead of the specified item for the above project:

<u>Section</u>	<u>Paragraph</u>	<u>Specified Item</u>
230923 DDC System for HVAC	2.01 Products	Delta Controls
Proposed Equivalent Product: <u>Carrier Controls - iVu</u>		

Attach complete technical data including laboratory test if applicable.
Include complete information changes to Drawings and/or Specifications which proposed equivalent product require for proper installation.

Fill in blanks below, use additional sheets if necessary:

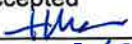
- A. Does the proposed equivalent product affect dimensions shown on Drawings?
No
- B. Will the undersigned pay for changes to building design, including engineering and detailing costs caused by proposed equivalent product, if any?
Yes
- C. What effect does proposed equivalent product have on other trades?
Should have no impact on other trades
- D. Differences between proposed equivalent product and specified item?
Seamless integration with equipment listed as basis of design.
- E. Manufacturer's guarantees of proposed and specified items are:

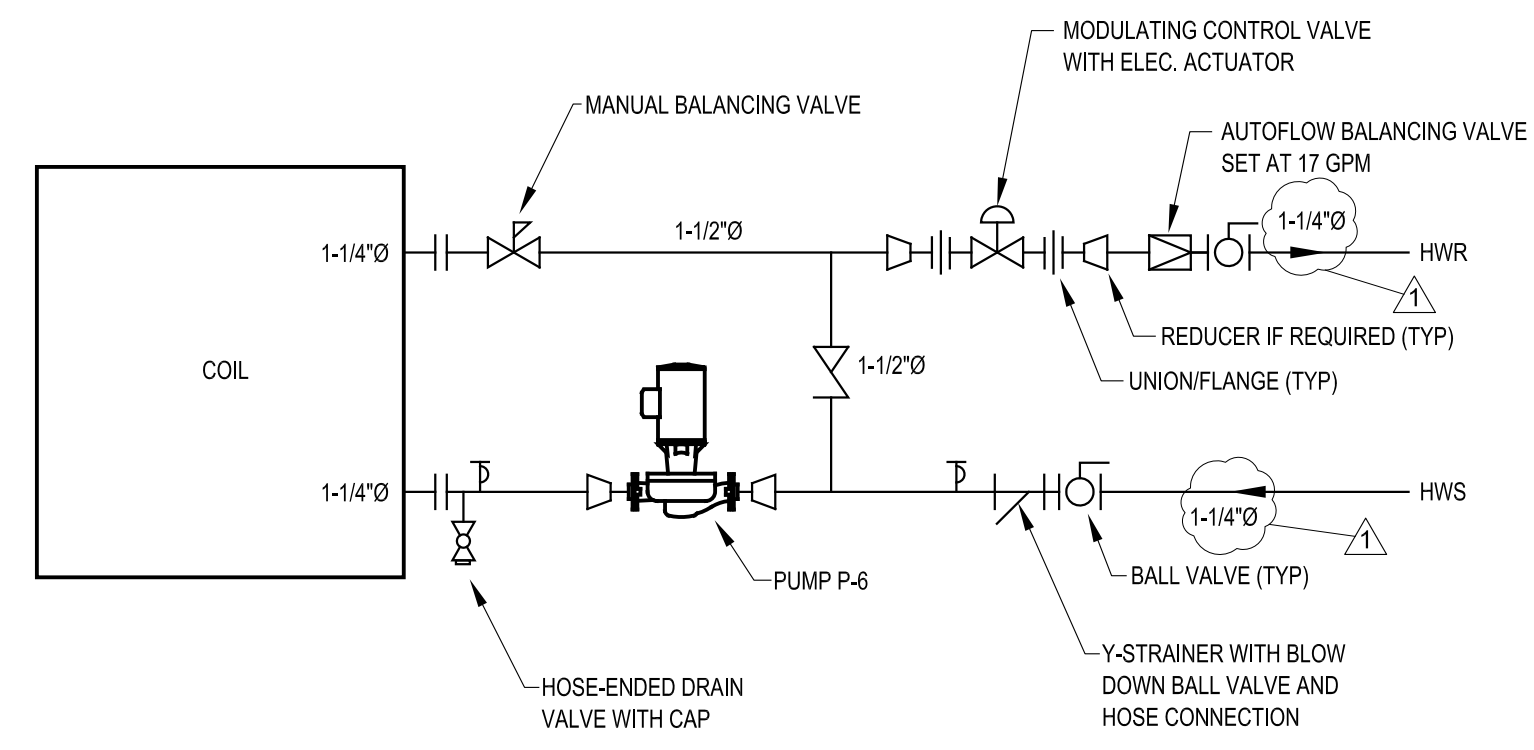
- Same Different (explain on attachment)

The undersigned states that the function, appearance and quality are equivalent or superior to the specified item.

Submitted by:
Charles Schott
Signature 
Firm Koch Air
Address 20 Corporate Woods Dr
Bridgeton, MO 63022
Telephone 314-265-6278

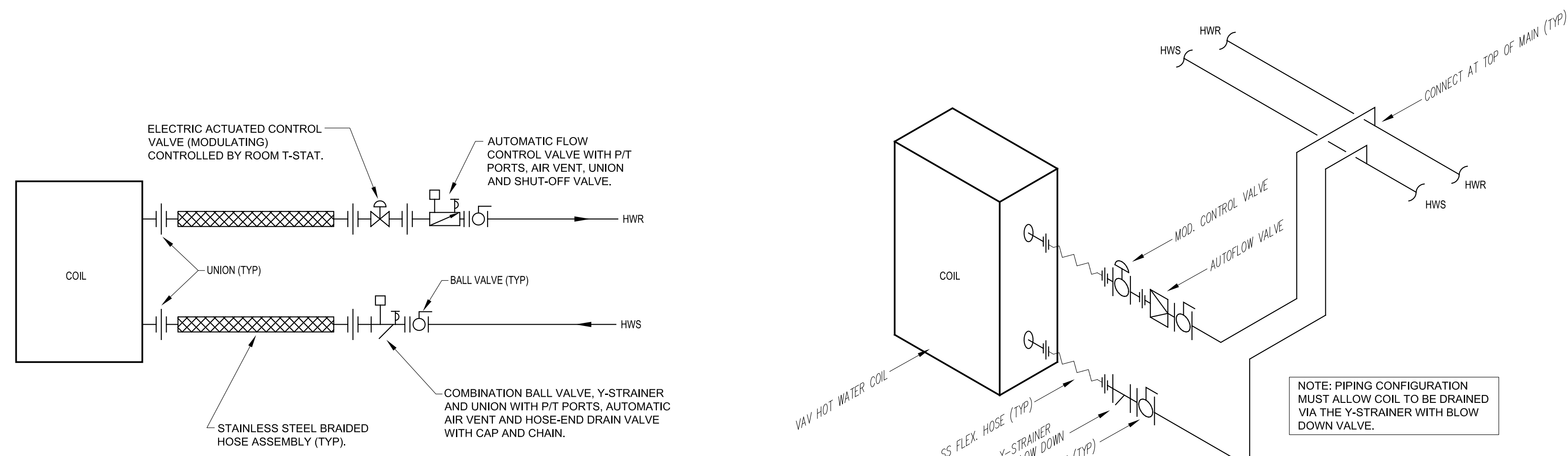
For use by Design Consultant

Accepted Accepted as Noted
Not Accepted Received too Late
By 
Date 02/21/25
Remarks COULD BE ACCEPTED AS A VOLUNTARY REDUCT, BUT NOT PART OF BASE BID "A"



DETAIL H300-4

NO SCALE AHU G-1E HOT WATER COIL PIPING SCHEMATIC

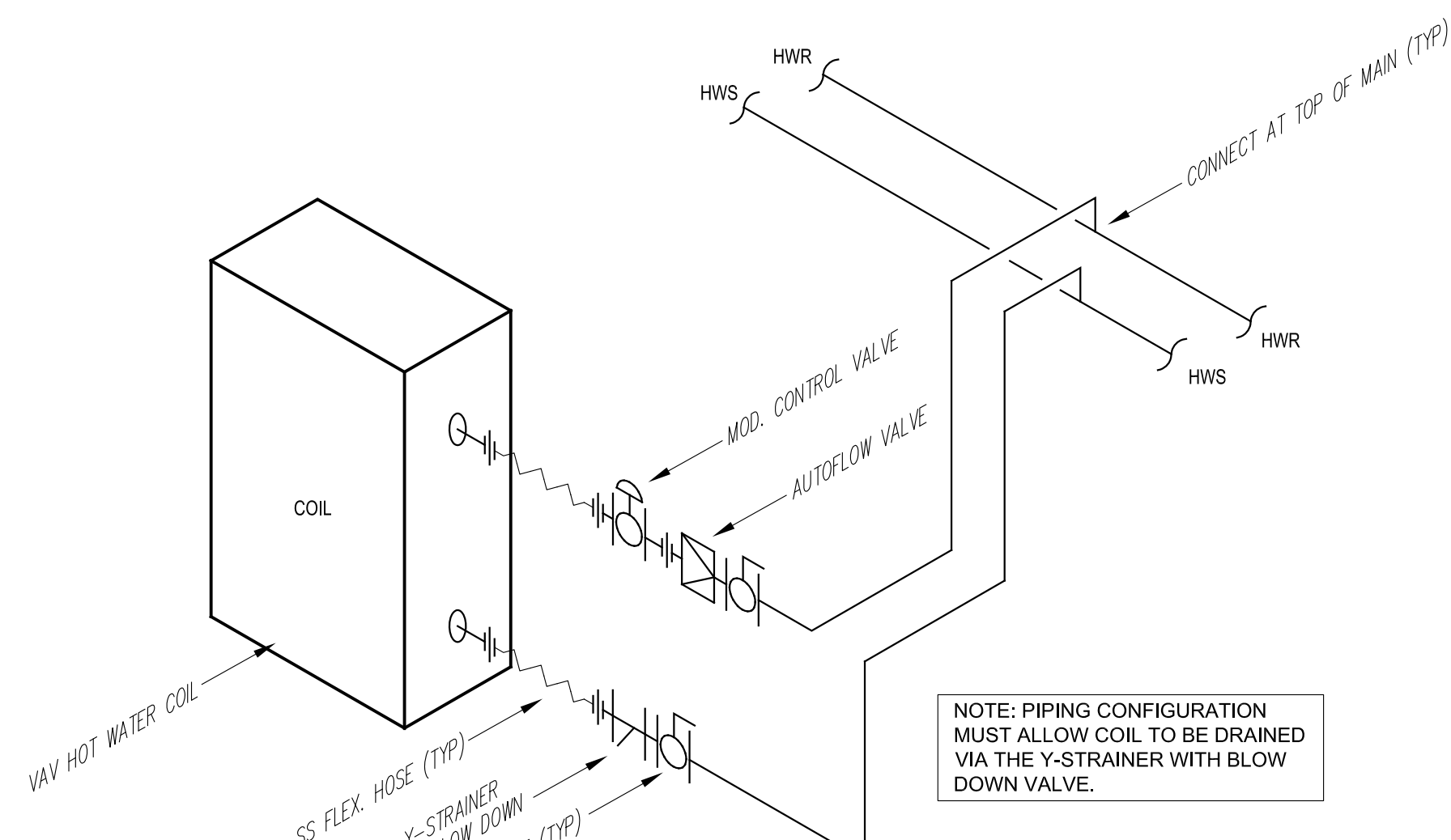


NOTE: AUTOMATIC BALANCING VALVES AND COMPONENTS SHALL BE MANUFACTURED BY FLOW DESIGN INC (FDI) OR EQUAL. EACH VAV TERMINAL UNIT AND COIL CONNECTION SHALL CONSIST OF A MODEL YC STRAINER (INCLUDES BALL VALVE, WYE-STRAINER AND UNION), MODEL AC FLOW REGULATOR (INCLUDES BALL VALVE, FLOW REGULATOR AND UNION) AND FLEXIBLE STAINLESS STEEL HOSES.

NOTE: PROVIDE 3-WAY MOD. CONTROL VALVE AT VAV'S G-13W, 1-7E, 2-7W, 2-13E & 3-3E

DETAIL H300-2

NO SCALE VAV TERMINAL UNIT PIPING DETAIL



NOTE: PROVIDE 3-WAY MOD. CONTROL VALVE AT VAV'S G-13W, 1-7E, 2-7W, 2-13E & 3-3E

DETAIL H300-3

NO SCALE VAV TERMINAL UNIT PIPING SCHEMATIC

BOILER SCHEDULE (B)												
GENERAL DATA							PERFORMANCE DATA				REMARKS	
MARK	MANUFACTURER	MODEL	OPERATING WEIGHT (LBS)	MIN / MAX GAS PRESSURE (W.G.)	WATER CONN. (IN)	GAS CONN. (IN)	VOLTS/PHHZ	CAPACITY (MBH)	THERMAL EFF (%)	GPM (@ 30" DT)		HEAD LOSS (FT OF HD)
B-1	LOCHINVAR	FTX 1000 N	750	4" / 14"	2-1/2"	1-1/4"	120/160	999 982	98.3	65	5.0	①②③④⑤⑥⑦⑧⑨⑩⑪
B-2	LOCHINVAR	FTX 1000 N	750	4" / 14"	2-1/2"	1-1/4"	120/160	999 982	98.3	65	5.0	①②③④⑤⑥⑦⑧⑨⑩⑪
B-3	LOCHINVAR	FTX 1000 N	750	4" / 14"	2-1/2"	1-1/4"	120/160	999 982	98.3	65	5.0	①②③④⑤⑥⑦⑧⑨⑩⑪

- ① 10:1 TURNDOWN ON BURNER
- ② PROVIDE WITH HIGH / LOW GAS PRESSURE SWITCHES
- ③ PROVIDE WITH LOW WATER CUT OFF
- ④ PROVIDE WITH LOW WATER CUT OFF
- ⑤ PROVIDE WITH FLOW SWITCH
- ⑥ PROVIDE WITH INLET / OUTLET TEMPERATURE SENSORS
- ⑦ PROVIDE WITH CONDENSATE NEUTRALIZATION KIT
- ⑧ VENT / COMBUSTION AIR PIPE SHALL BE SCH. 40 PVC WITH MFR. REQUIRED ADAPTORS, FITTINGS AND AND PROPER TERMINATION FITTINGS (SEE DWG. H200 FOR ADDITIONAL INFORMATION)
- ⑨ BACNET INTERFACE: DIGITAL OPERATING CONTROLS
- ⑩ PROVIDE WITH 75 PSIG SAFETY RELIEF VALVE
- ⑪ PROVIDE CSD1/FM (M13) FIRING CONTROLS AND EMERGENCY SHUT-OFF SWITCH

PUMP SCHEDULE (P)														
MK	MANUFACTURER & MODEL NO.	TYPE	SERVICE	GPM	HEAD (FT. WATER)	IMPELLER DIA. (IN.)	NPSH (FT)	EFF (%)	PUMP/MOTOR DATA			REMARKS		
									RPM	BHP	HP		VOLTS	PHASE
P-1	TACO SKS2006D	VERTICAL IN-LINE	HW REHEAT LOOP	135	85	5.25	15.00	73	3500	3.98	7.5	460	3	①②③
P-2	TACO SKS2006D	VERTICAL IN-LINE	HW REHEAT LOOP	135	85	5.25	15.00	73	3500	3.98	7.5	460	3	①②③
P-3	GRUNDFOS MAGNA 3 50-150 GF	IN-LINE CIRCULATOR	BOILER #1 LOOP	65	12	---	32.81	62	1800	---	643W	120	1	④⑤⑥⑦⑧
P-4	GRUNDFOS MAGNA 3 50-150 GF	IN-LINE CIRCULATOR	BOILER #2 LOOP	65	12	---	32.81	62	1800	---	643W	120	1	④⑤⑥⑦⑧
P-5	GRUNDFOS MAGNA 3 50-150 GF	IN-LINE CIRCULATOR	BOILER #3 LOOP	65	12	---	32.81	62	1800	---	643W	120	1	④⑤⑥⑦⑧
P-6	GRUNDFOS MAGNA 1 40-80 GF N	IN-LINE CIRCULATOR	AHU G-1E HEATING COIL	17	10	---	32.81	43	1800	---	280W	120	1	⑤⑥⑦⑧

- ① HIGH EFFICIENCY MOTORS AND INTEGRAL THERMAL OVERLOADS COMPATIBLE WITH VFD
- ② VFD WITH 24V CONTROL COIL (VFD SUPPLIED AND INSTALLED BY ELECTRICAL CONTRACTOR)
- ③ MAIN OR STANDBY PUMP OPERATION
- ④ INTERLOCK WITH BOILER OPERATION
- ⑤ STAINLESS STEEL BODY WITH STAINLESS STEEL TRIM
- ⑥ VARIABLE SPEED ECM MOTOR
- ⑦ BUILT IN SPEED CONTROLLER / DRIVE
- ⑧ BACNET CONTROL

EXPANSION TANK SCHEDULE (ET)											
MK	MANUFACTURER & MODEL NO.	SERVICE	TYPE	SYSTEM VOLUME (GAL)	SYSTEM FILL PRESSURE (PSIG)	RELIEF VALVE SETTING (PSIG)	SYSTEM TEMPERATURE	TANK VOLUME (GAL)	TANK ACCEPTANCE (GAL)	SHIP WEIGHT (LBS)	REMARKS
ET-1	TACO CA215-125	HW REHEAT LOOP	VERTICAL BLADDER	1000	45	75	50° - 180°	57	41	290	①②

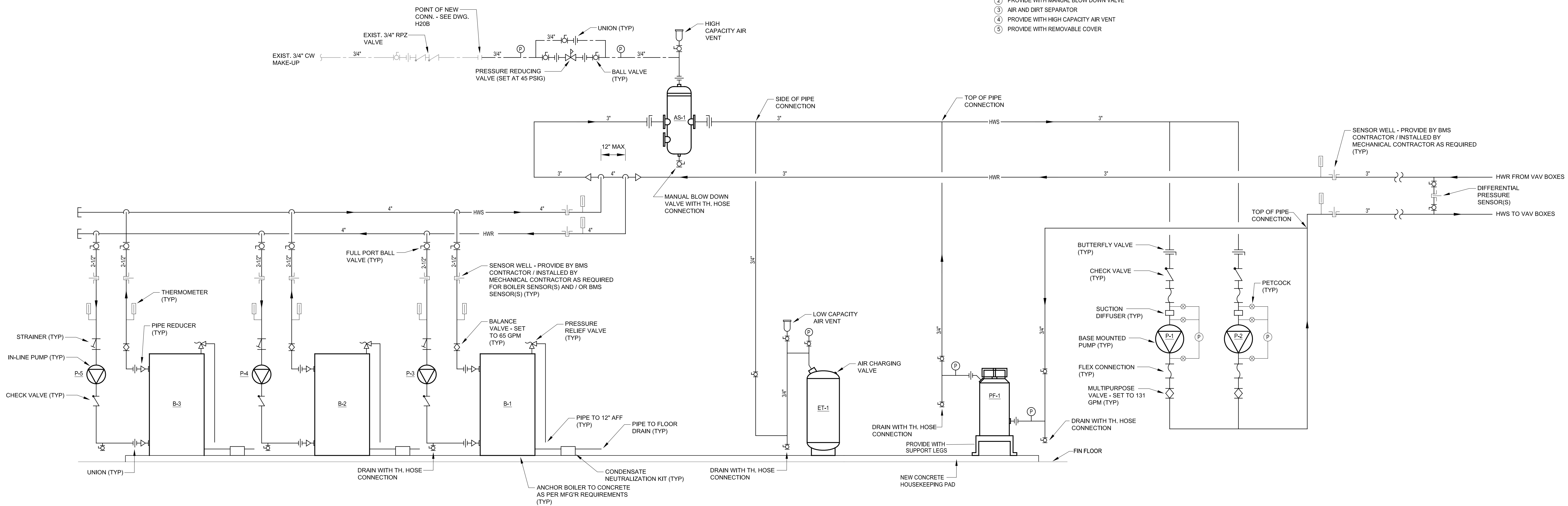
- ① VERTICAL FLOOR MOUNT
- ② PROVIDE WITH AIR VENT

AIR SEPARATOR SCHEDULE (AS)						
MK	MANUFACTURER & MODEL NO.	SERVICE	SIZE (IN/OUT)	GPM	P.D. (FT)	REMARKS
AS-1	TACO 4903 ADMT-125	HW REHEAT LOOP	3	131	3.5	①②③④⑤

- ① PROVIDE WITH MAGNETIC STRAINER
- ② PROVIDE WITH MANUAL BLOW DOWN VALVE
- ③ AIR AND DIRT SEPARATOR
- ④ PROVIDE WITH HIGH CAPACITY AIR VENT
- ⑤ PROVIDE WITH REMOVABLE COVER

POT FEEDER SCHEDULE (PF)					
MK	MANUFACTURER & MODEL NO.	SERVICE	TANK CAPACITY (GALLONS)	TANK MATERIAL	REMARKS
PF-1	NEPTUNE DBF 5HP	HW REHEAT LOOP	5	STEEL	①

- ① PROVIDE WITH SUPPORT LEGS



DETAIL H300-1

NO SCALE MECHANICAL ROOM PIPING DIAGRAM

CURRENT DATE: 02.05.25



LICENSE EXPIRES: 11.30.25



FULL SIZED PLANS HAVE BEEN PREPARED TO STANDARD SCALES. REDUCED SIZED PLANS MAY NOT CONFORM TO STANDARD SCALES. USE GRAPHIC SCALES WHEN MAKING MEASUREMENTS ON REDUCED PLANS.

DRAWING SIZES (PRINTED): 30"x42"

REVISIONS	
NO.	Description
1	02.17.25 ADDENDUM NO. 02
2	02.21.25 ADDENDUM NO. 03

NEW HVAC SYSTEM FOR:
ADAMS COUNTY (IL) COURTHOUSE
521 VERMONT STREET
QUINCY, ILLINOIS

ISSUED FOR BIDDING

NOT FOR CONSTRUCTION

ISSUE DATE: 02.05.25

PROJECT NUMBER: 6373

HEATING SCHEDULES & DETAILS

DWG. NO.

H300

KEYED NOTES - FOURTH FLOOR FRAMING

- 1 EXISTING CONCRETE COLUMN.
- 2 EXISTING CONCRETE BEAM.
- 3 EXISTING FLOOR OR ROOF OPENING.
- 4 EXISTING CONCRETE SLAB.
- 5 NEW HVAC UNIT. SEE MECHANICAL DRAWINGS FOR ADDITIONAL INFORMATION.
- 6 NEW OPENING IN EXISTING CONCRETE SLAB FOR NEW SUPPLY AND RETURN DUCTS. SEE STRUCTURAL DETAILS AND MECHANICAL DRAWINGS FOR ADDITIONAL INFORMATION.
- 7 EXISTING DEPRESSED SLAB.
- 8 EXISTING FLOOR / SLAB OPENING AT EXISTING DUCTWORK LOCATION TO BE REUSED.
- 9 NEW HVAC UNIT AT EXISTING HVAC LOCATION. NO ADDITIONAL STRUCTURAL WORK REQUIRED UNLESS OTHERWISE NOTED.
- 10 EXISTING ROOF CURB AT CONDENSING UNIT TO BE REUSED, SEE ADDITIONAL DETAILS.
- 11 EXISTING STEEL WIDE FLANGE CHILLER SUPPORT FRAMING TO REMAIN AND TO BE REUSED, SEE ADDITIONAL DETAILS.
- 12 NEW STEEL WIDE FLANGE SUPPORT FRAMING FOR NEW HVAC EQUIPMENT. SEE DETAILS FOR ADDITIONAL INFORMATION.
- 13 NEW EXTERIOR STEEL WIDE FLANGE SUPPORT FRAMING FOR NEW HVAC EQUIPMENT SHALL BE GALVANIZED. STEEL SUPPORTS FOR INTERIOR USE SHALL BE PRIMED.

CURRENT DATE: 02.05.25



FULL SIZED PLANS HAVE BEEN PREPARED TO STANDARD SCALES. REDUCED SIZED PLANS MAY NOT CONFORM TO STANDARD SCALES. USE GRAPHIC SCALES WHEN MAKING MEASUREMENTS ON REDUCED PLANS.

DRAWING SIZES (PRINTED): 30"x42"

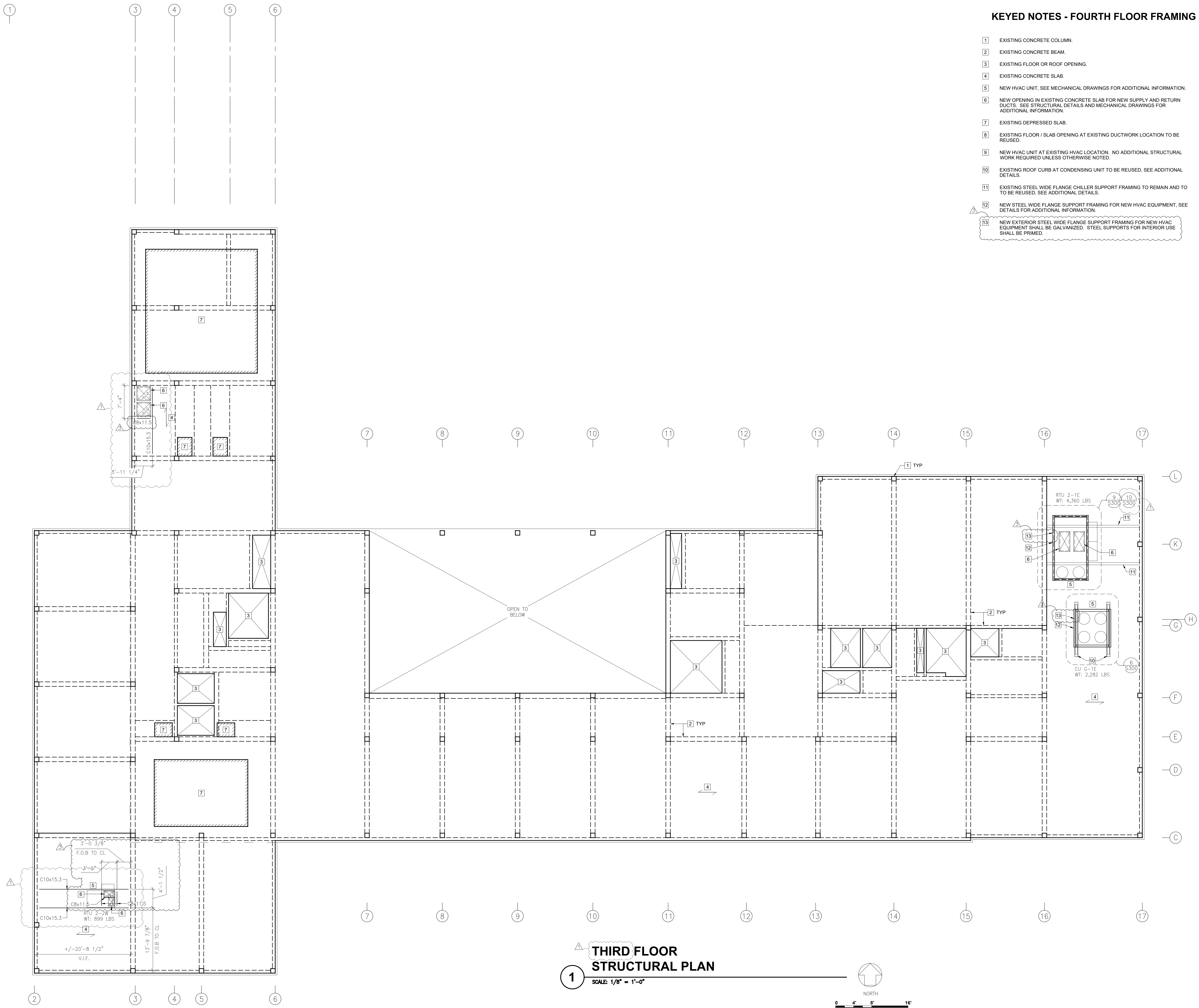
NO.	Date	Description
1	02/20/25	ADENDUM 01
2	02/20/25	ADENDUM 02
3	02/20/25	ADENDUM 03

NEW HVAC SYSTEM FOR:
ADAMS COUNTY (IL) COURTHOUSE
521 VERMONT STREET
QUINCY, ILLINOIS

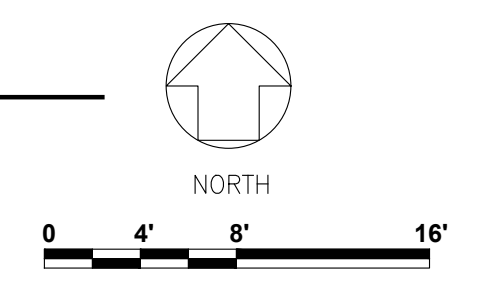
ISSUED FOR BIDDING
NOT FOR CONSTRUCTION
ISSUE DATE: 02.05.25
PROJECT NUMBER: 6573

THIRD FLOOR STRUCTURAL PLAN

DWG. NO.
S103



THIRD FLOOR STRUCTURAL PLAN
SCALE: 1/8" = 1'-0"



KEYED NOTES - ROOF FRAMING

- 1 EXISTING CONCRETE COLUMN.
- 2 EXISTING CONCRETE BEAM.
- 3 EXISTING ROOF OPENING.
- 4 EXISTING CONCRETE SLAB.
- 5 NEW HVAC UNIT. SEE MECHANICAL DRAWINGS FOR ADDITIONAL INFORMATION.
- 6 NEW OPENING IN EXISTING CONCRETE SLAB FOR NEW SUPPLY AND RETURN DUCTS. SEE STRUCTURAL DETAILS 1, 2 AND 3 ON SHEET S300 AND MECHANICAL DRAWINGS FOR ADDITIONAL INFORMATION.

CURRENT DATE: 02.05.25



LICENSE EXPIRES: 11.30.25



FULL SIZED PLANS HAVE BEEN PREPARED TO STANDARD SCALES. REDUCED SIZED PLANS MAY NOT CONFORM TO STANDARD SCALES. USE GRAPHIC SCALES WHEN MAKING MEASUREMENTS ON REDUCED PLANS.

DRAWING SIZES (PRINTED): 30"x42"

REVISIONS	
NO.	Description
1	ADENDUM 01
2	ADENDUM 02
3	ADENDUM 03

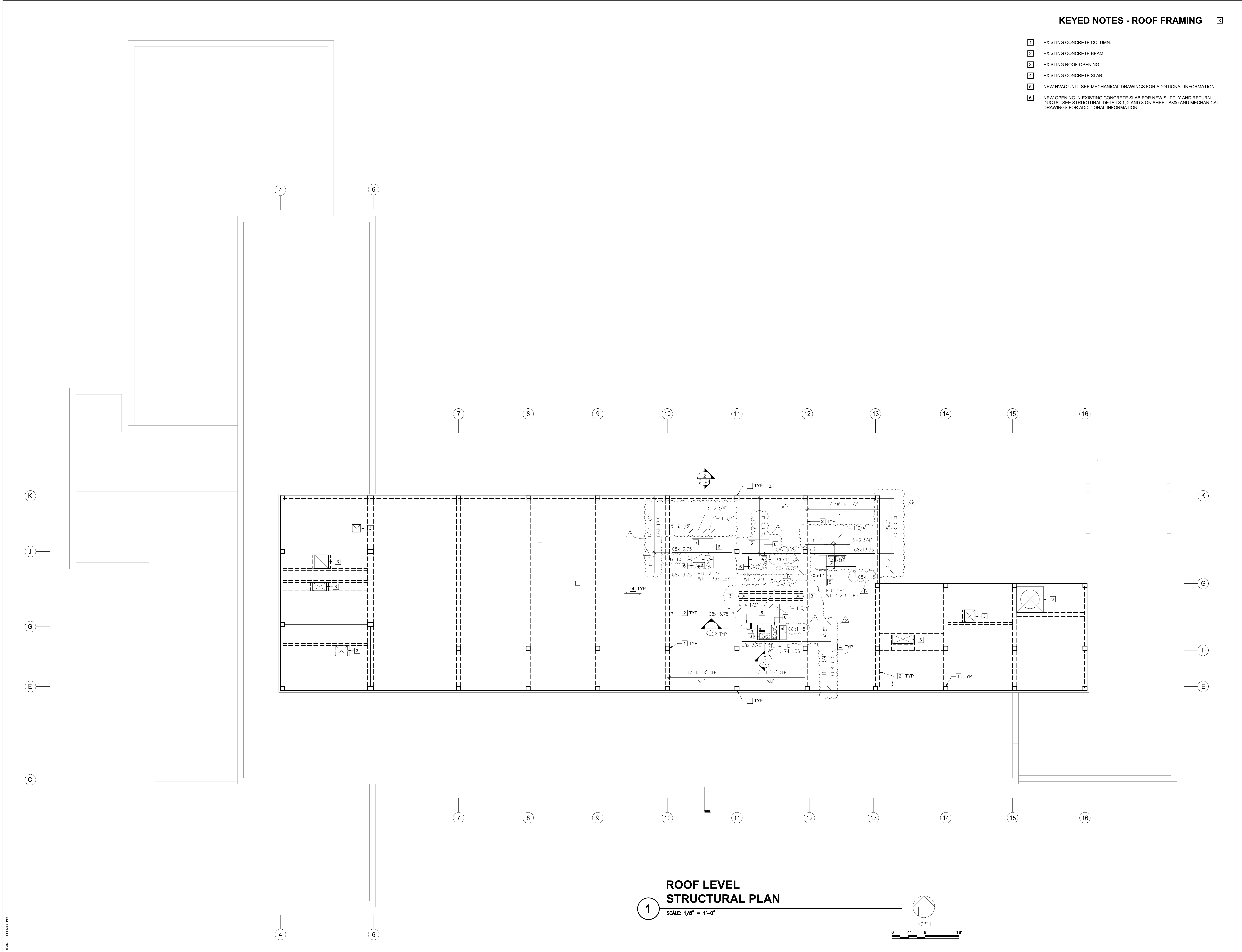
NEW HVAC SYSTEM FOR:
ADAMS COUNTY (IL) COURTHOUSE
521 VERMONT STREET
QUINCY, ILLINOIS

ISSUED FOR BIDDING

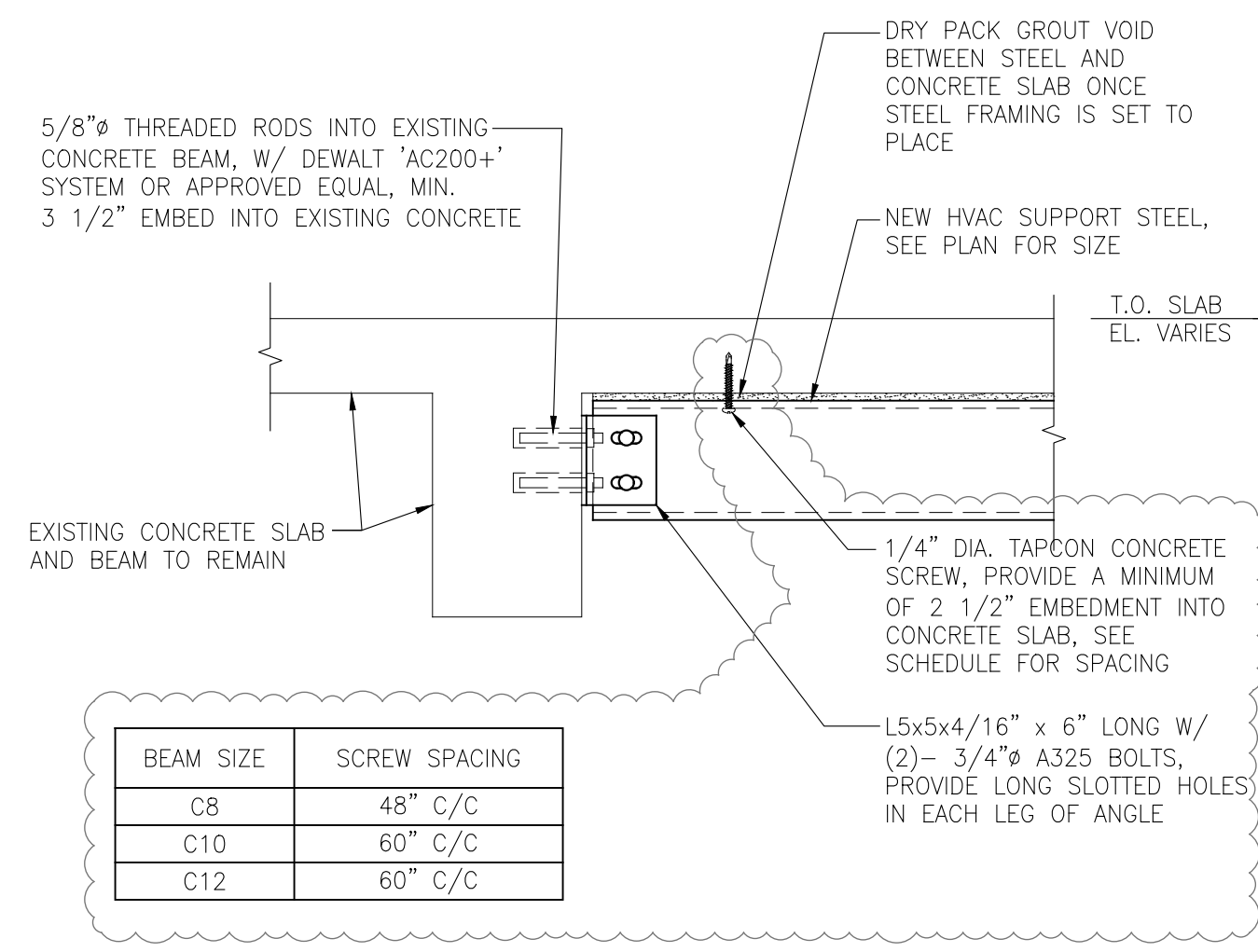
NOT FOR CONSTRUCTION
ISSUE DATE: 02.05.25
PROJECT NUMBER: 6573

ROOF LEVEL STRUCTURAL PLAN

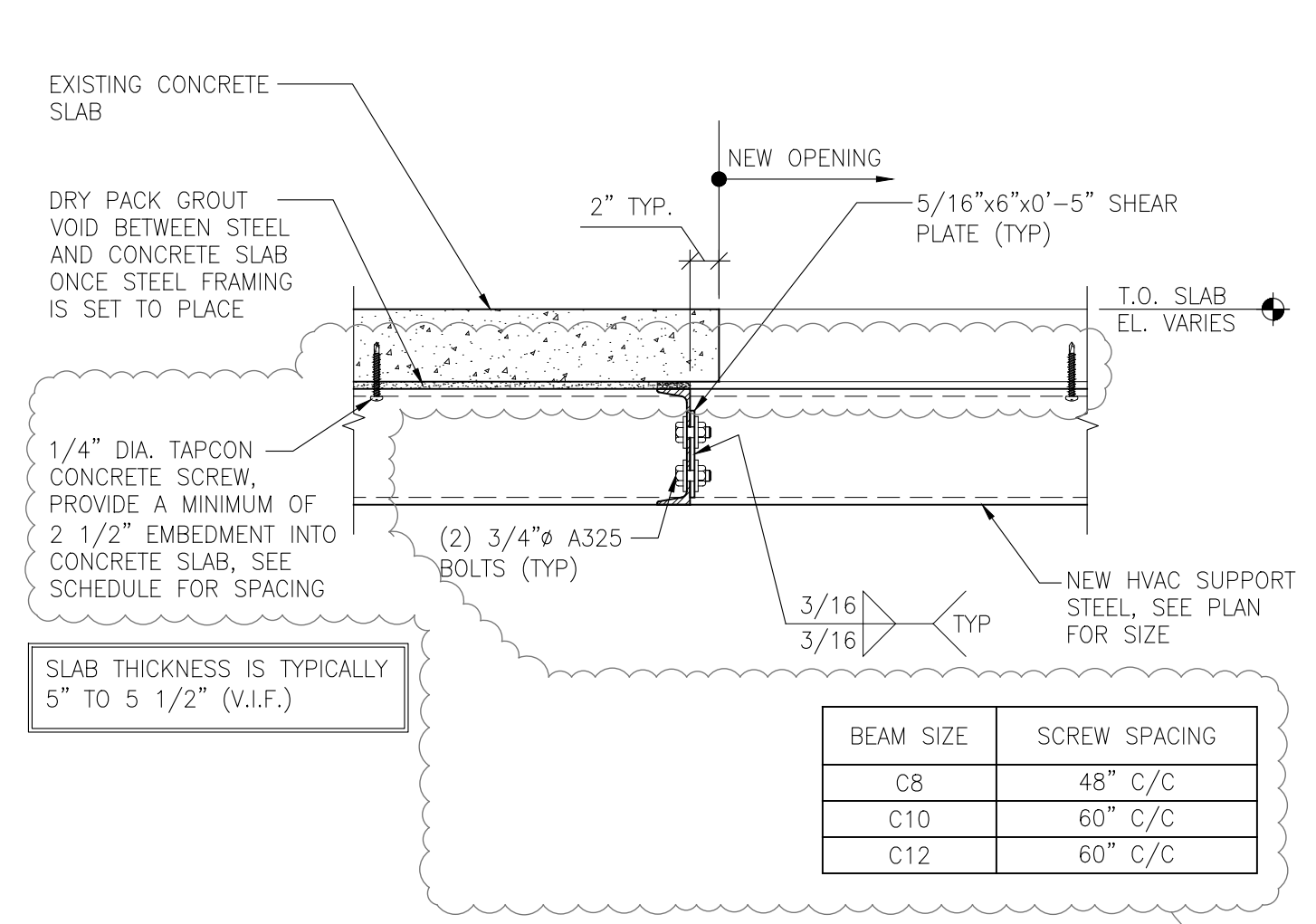
DWG. NO.
S105



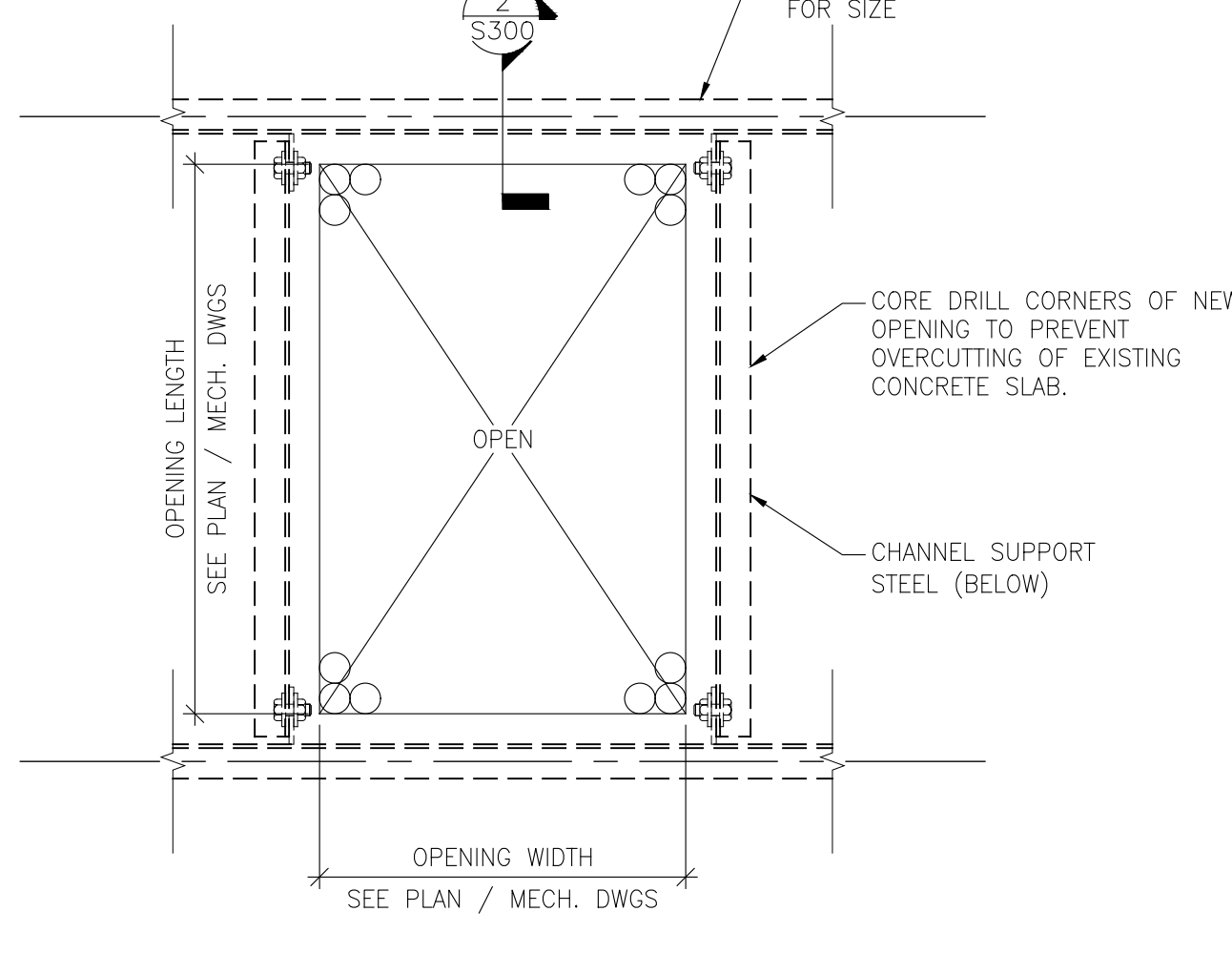
1
ROOF LEVEL STRUCTURAL PLAN
SCALE: 1/8" = 1'-0"



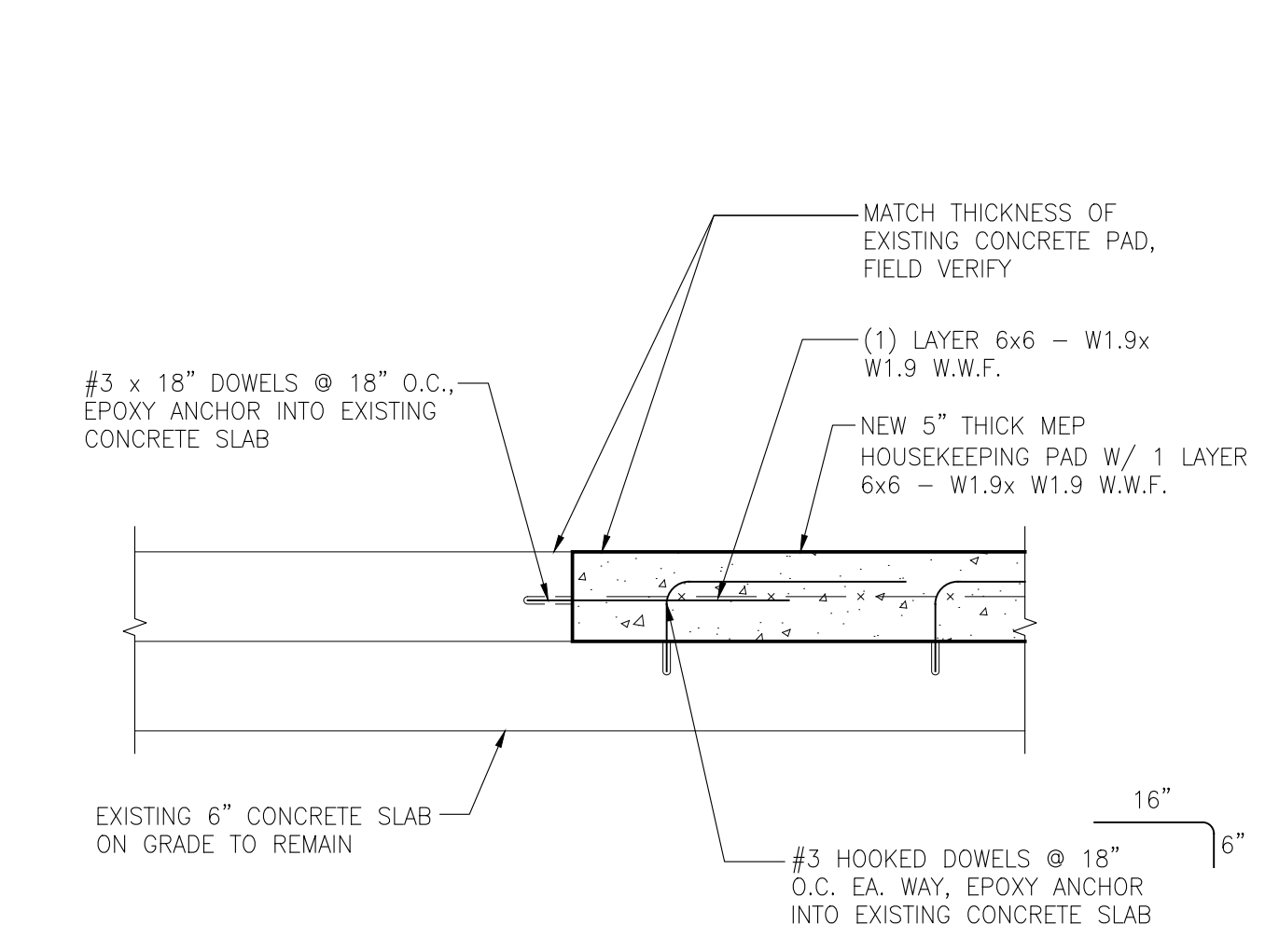
1 FRAMING DETAIL
SCALE: 1" = 1'-0"



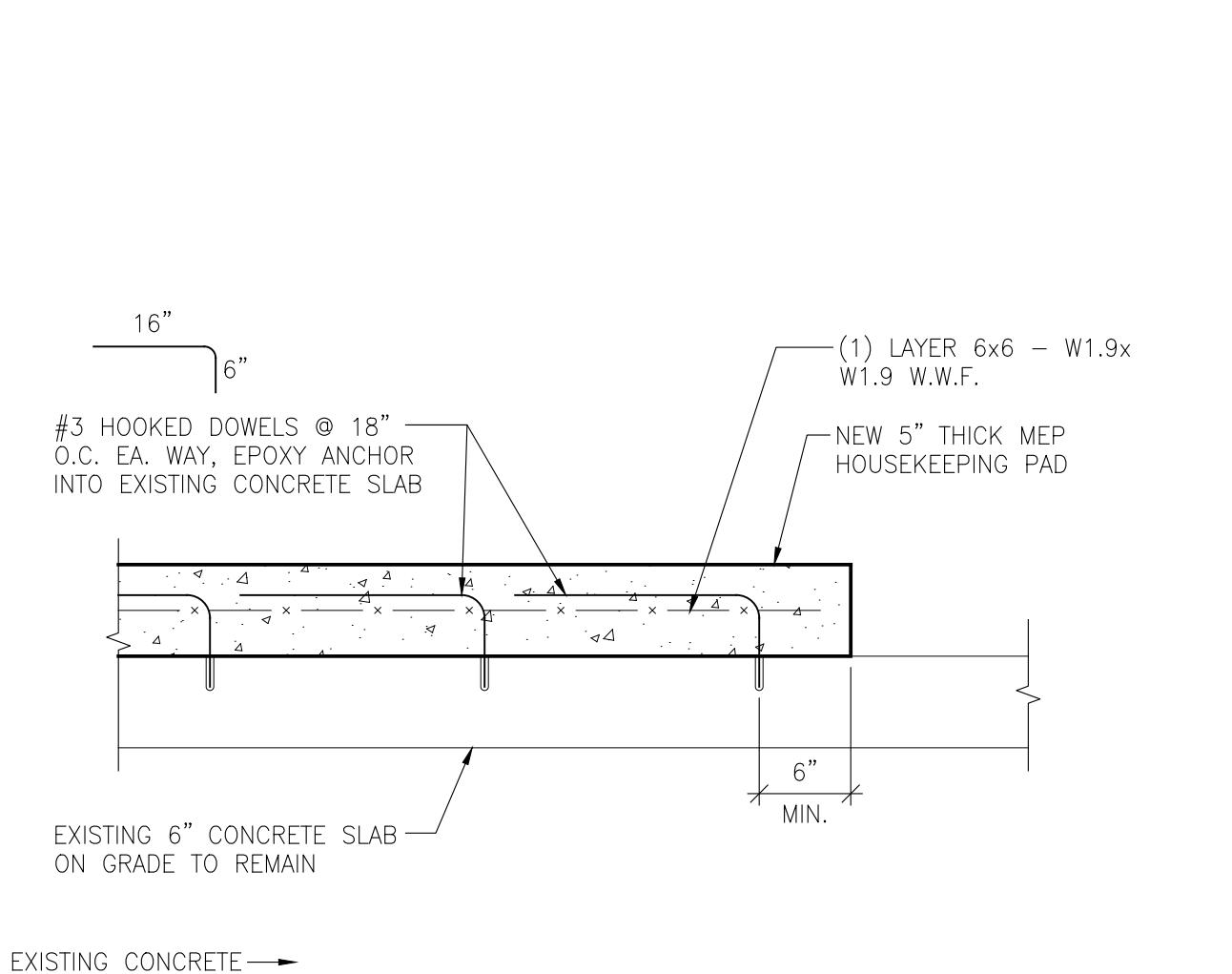
2 FRAMING DETAIL
SCALE: 1" = 1'-0"



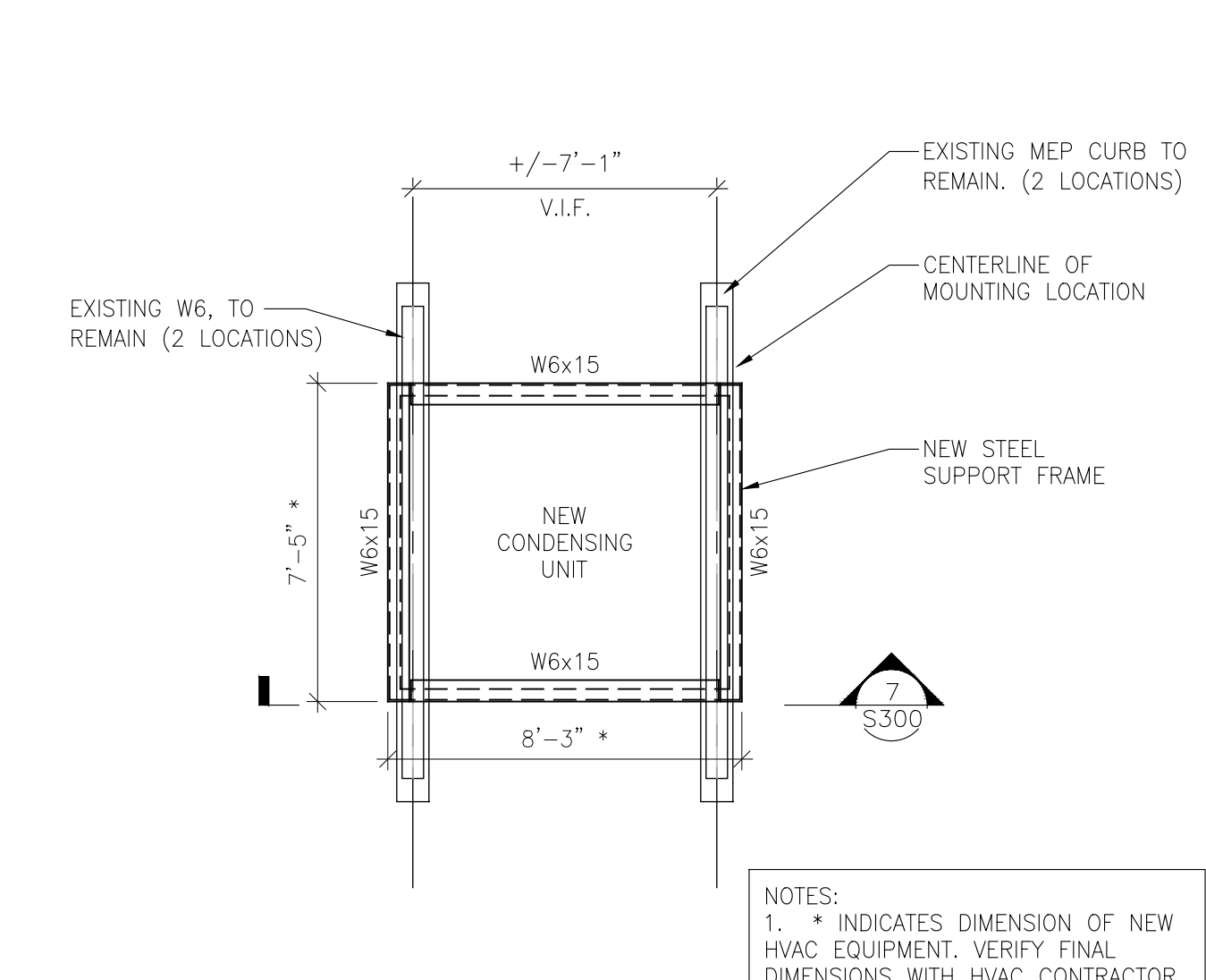
3 NEW CONCRETE OPENING DETAIL
SCALE: 1" = 1'-0"



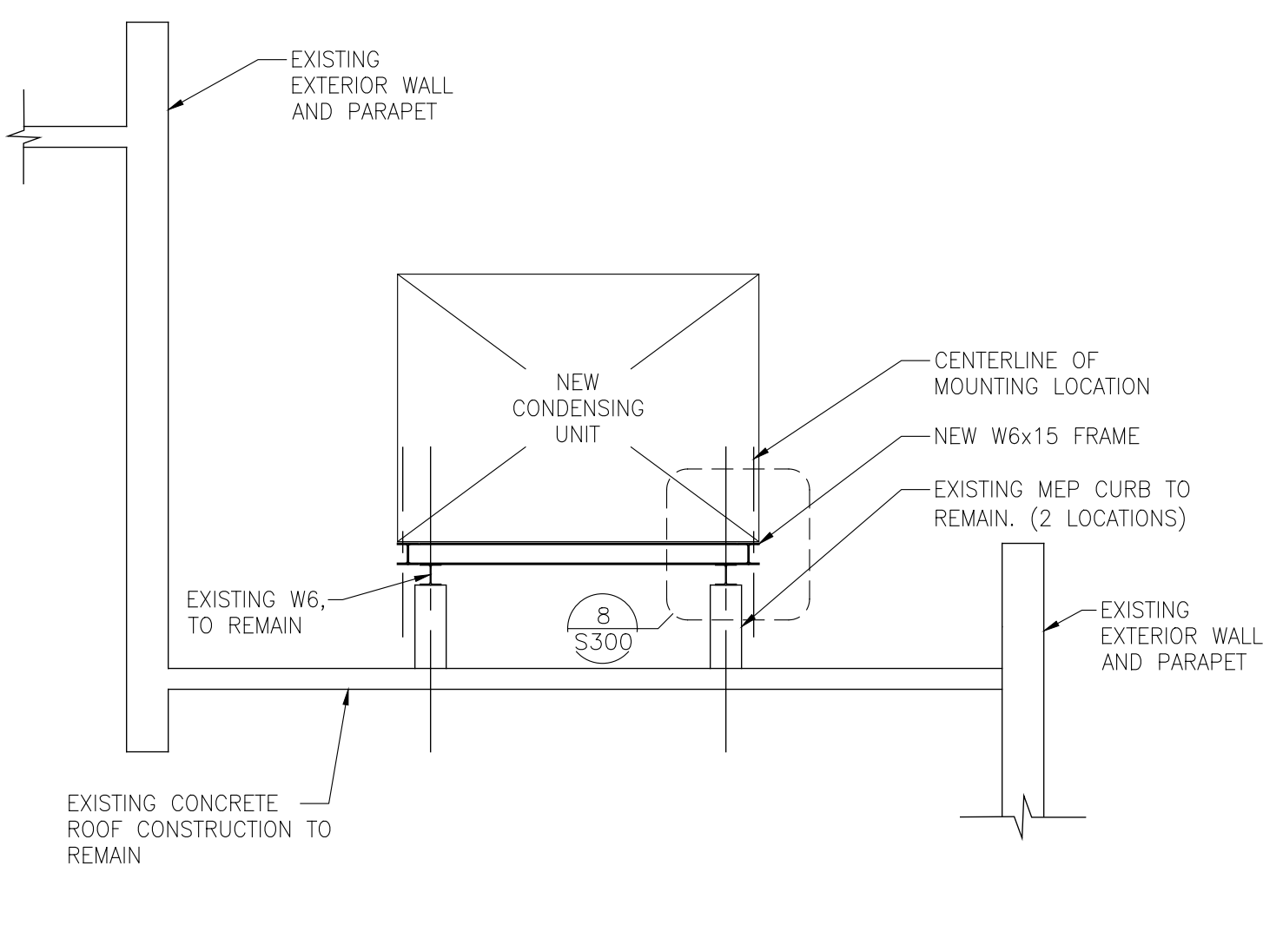
4 NEW MEP HOUSEKEEPING PAD DETAIL
SCALE: 1" = 1'-0"



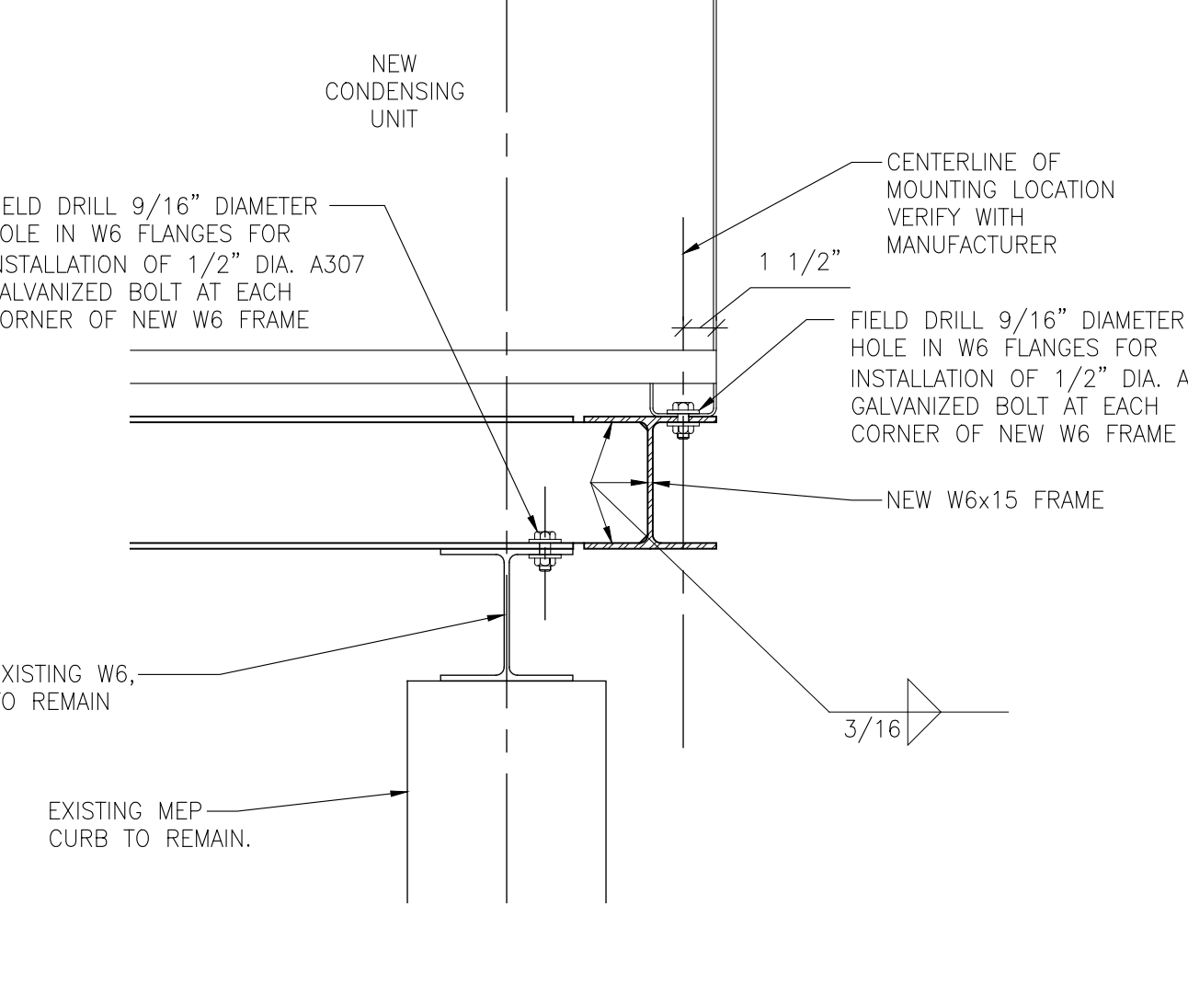
5 NEW MEP HOUSEKEEPING PAD DETAIL
SCALE: 1" = 1'-0"



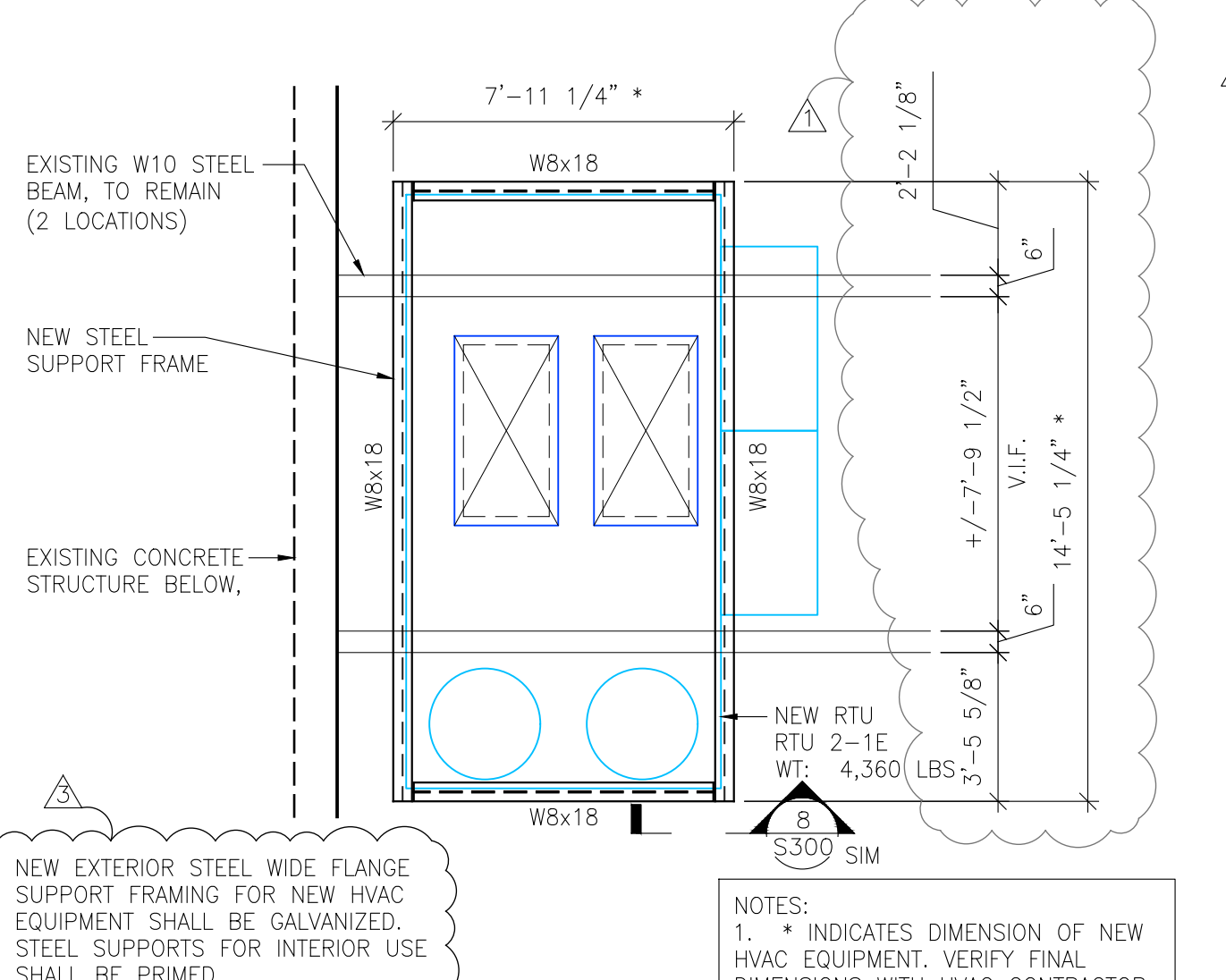
6 NEW CONDENSING UNIT FRAMING
SCALE: 1/4" = 1'-0"



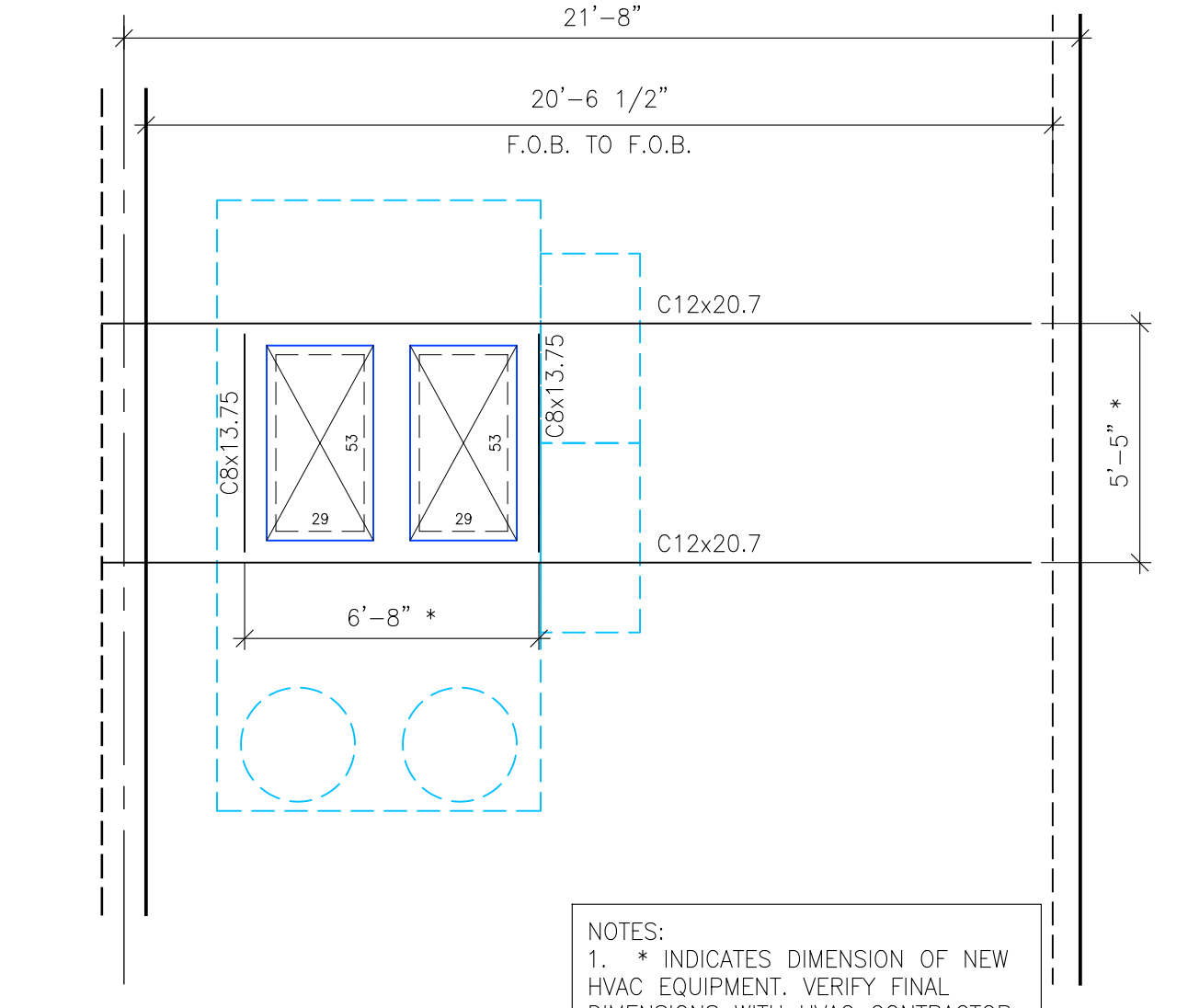
7 NEW CONDENSING UNIT FRAMING
SCALE: 1/4" = 1'-0"



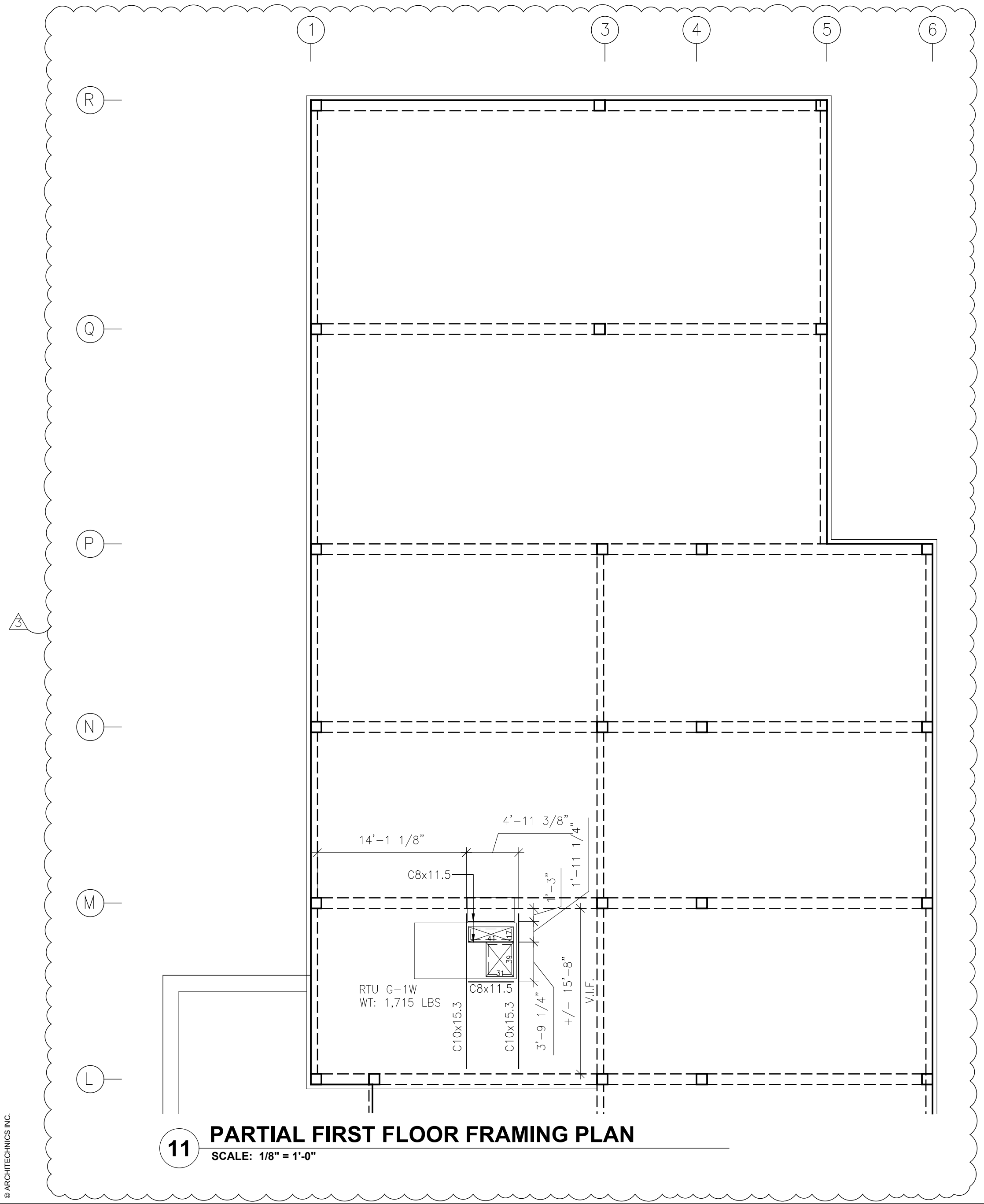
8 CONDENSING UNIT FRAMING DETAIL
SCALE: 1 1/2" = 1'-0"



9 NEW RTU UNIT FRAMING
SCALE: 1/4" = 1'-0"



10 NEW RTU OPEN FRAMING
SCALE: 1/4" = 1'-0"



11 PARTIAL FIRST FLOOR FRAMING PLAN
SCALE: 1/8" = 1'-0"

ARCHITECTONICS
ARCHITECTS • ENGINEERS • INTERIOR DESIGNERS
310 Maine Street • Quincy, Illinois 62301 • 217.222.0554

CURRENT DATE: 02.05.25

DMI
DESIGN MECHANICAL, INC.

LICENSE EXPIRES: 11.30.25

FULL SIZED PLANS HAVE BEEN PREPARED TO STANDARD SCALES. REDUCED SIZED PLANS MAY NOT CONFORM TO STANDARD SCALES. USE GRAPHIC SCALES WHEN MAKING MEASUREMENTS ON REDUCED PLANS.

DRAWING SIZES (PRINTED): 30"x42"

NO.	DATE	DESCRIPTION
1	02/05/25	AS PER SUBmittal 03
2	02/20/25	AS PER SUBmittal 03
3	02/20/25	AS PER SUBmittal 03

NEW HVAC SYSTEM FOR:
ADAMS COUNTY (IL) COURTHOUSE
521 VERMONT STREET
QUINCY, ILLINOIS

ISSUED FOR BIDDING

NOT FOR CONSTRUCTION

ISSUE DATE: 02.05.25

PROJECT NUMBER: 6873

CONCRETE AND HVAC SUPPORT DETAILS

DWG. NO.
S300