

ARCHITECTNICS, INC.
510 MAINE STREET
QUINCY, ILLINOIS 62301

PROJECT NO. 5685

ADDENDUM NO. 2
ISSUED March 19, 2018

Project: CONCRETE STAIR REPLACEMENT FOR:
WESTERN CUSD 12
BARRY AND KINDERHOOK ILLINOIS
ARCHITECTNICS, INC. PROJECT NO. 5703

This addendum becomes a part of the bidding and contract documents and modifies the drawings and specifications dated March 5, 2018. Acknowledge receipt of this addendum by noting such on the Contractor's Proposal (Bid) Form.

FAILURE TO DO SO MAY SUBJECT BIDDER TO DISQUALIFICATION

LOCATION
C1.1

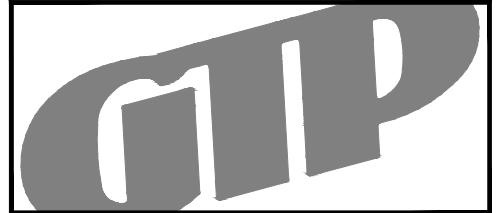
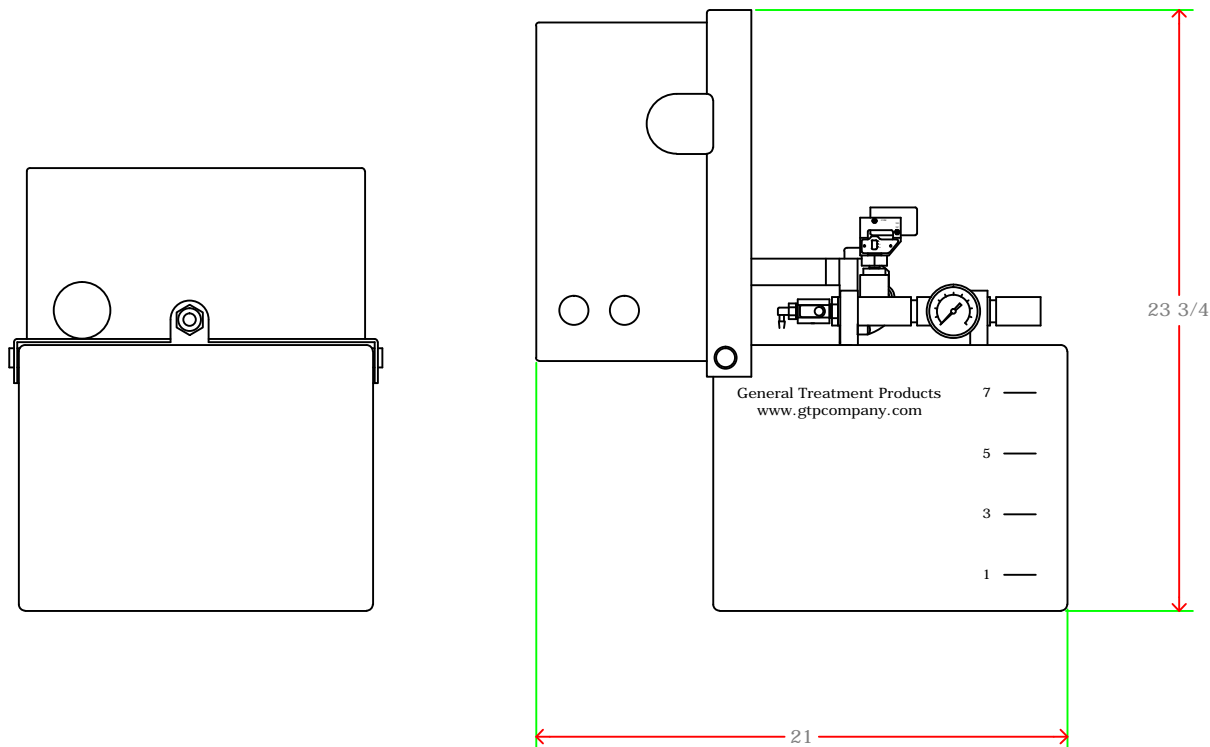
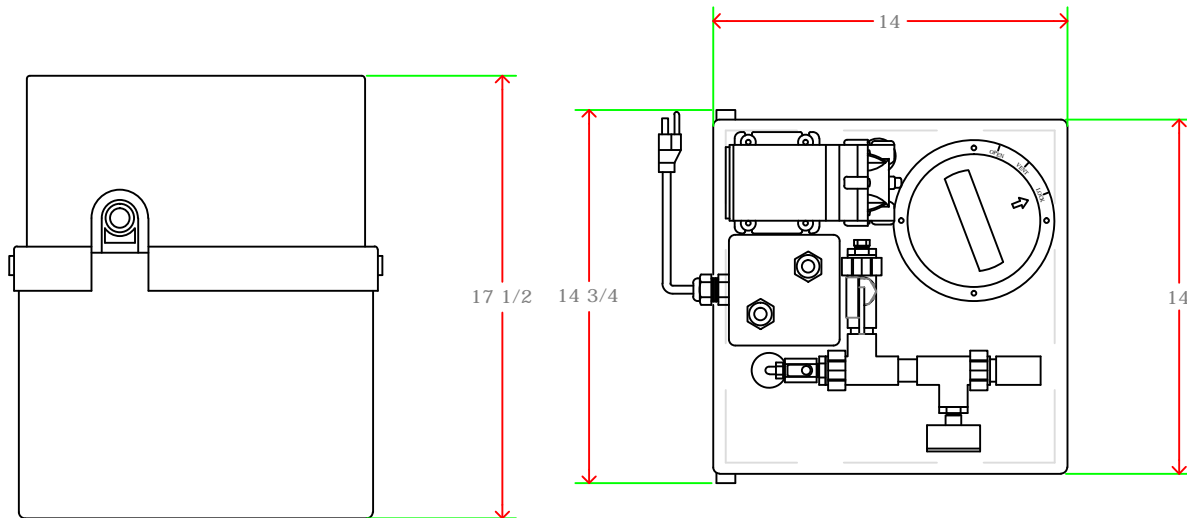
Clarify

DESCRIPTION

Insulate all new piping in building with 1/2" insulation.

Provide power and piping as required and install glycol fill system in janitor closet. See attached specs. Model GRE07-E7-4

End of Addendum No. 2
Attachments: Glycol Feed System Specs



MATERIALS OF CONSTRUCTION:
POLYETHYLENE, PVC, BRASS, POLYPRO

Capacity:	7.5	Gallons
Max Temp.:	85	F
Max Press.:	30	PSI
Weight:	21	Lbs.
Voltage.:	115 VAC	1 Phs 60 Hz
FLA.:	3	amps

20	x	x
19	x	x
18	x	x
17	x	x
16	x	x
15	x	x
14	x	x
13	x	x
12	x	x
11	x	x
10	x	x
9	x	x
8	x	x
7	x	x
6	x	x
5	x	x
4	x	x
3	x	x
2	x	x
1	x	x

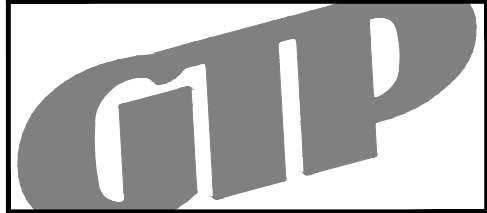
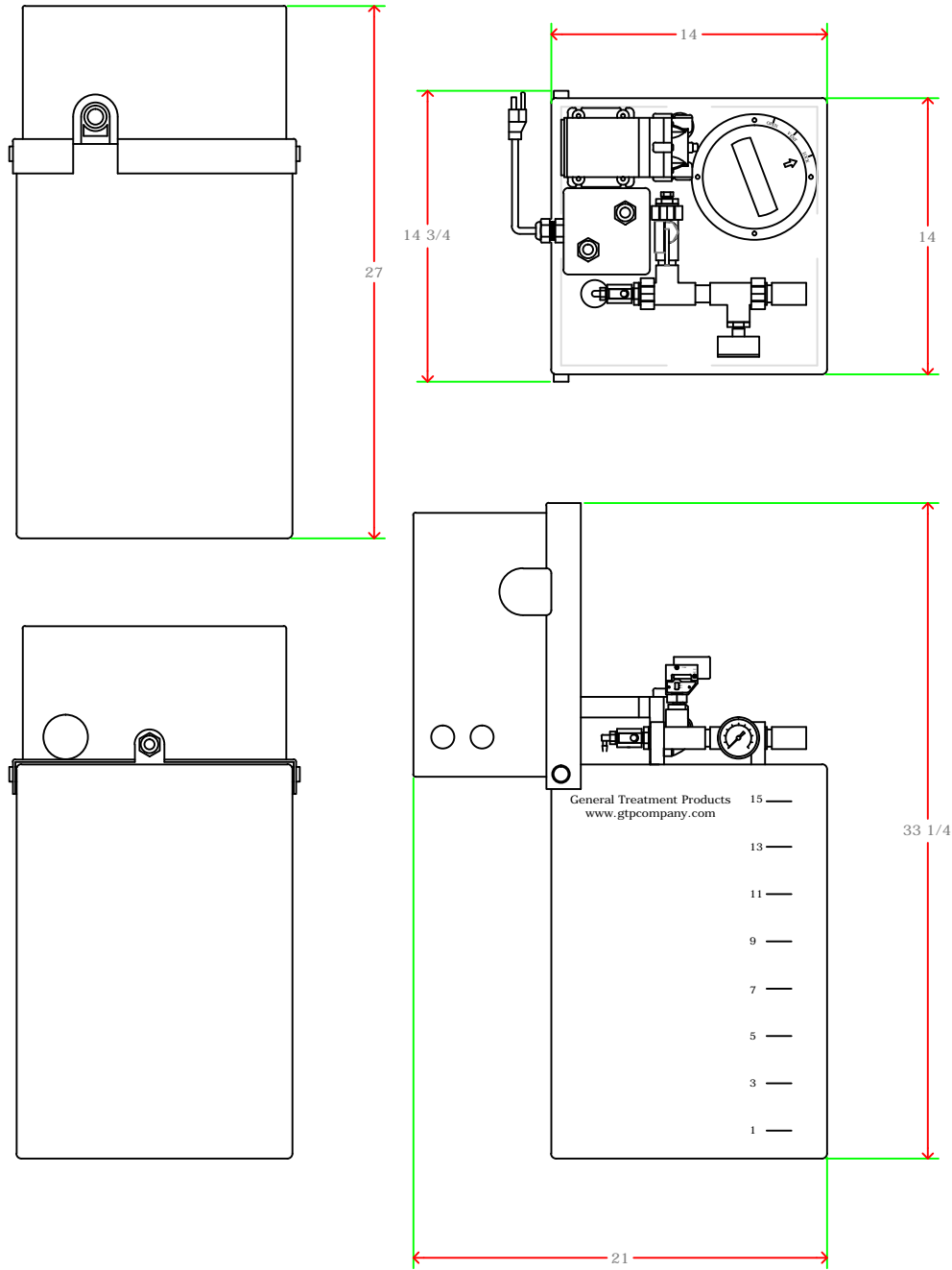
#	PART	DESCRIPTION
F	x	xx/xx/xx
E	x	xx/xx/xx
D	x	xx/xx/xx
C	x	xx/xx/xx
B	x	xx/xx/xx
REV	DESCRIPTION	DATE

General Treatment Products, Inc.
PO Box 8697, Brea, CA 92822
Phone: 714) 257-9165 <http://www.gtpcompany.com>
Fax: 714) 257-9215 customerservice@gtpcompany.com

Date: 12/01/15 Scale: NTS Rev.: A

Description:
7.5GL RESIDENTIAL GLYCOL FEEDER

Model:
GRE07-E7-4



MATERIALS OF CONSTRUCTION:
 POLYETHYLENE, PVC, BRASS, POLYPRO

Capacity:	15	Gallons
Max Temp.:	85	F
Max Press.:	30	PSI
Weight:	21	Lbs.
Voltage.:	115 VAC	1 Phs 60 Hz
FLA.:	3	amps

20	x	x
19	x	x
18	x	x
17	x	x
16	x	x
15	x	x
14	x	x
13	x	x
12	x	x
11	x	x
10	x	x
9	x	x
8	x	x
7	x	x
6	x	x
5	x	x
4	x	x
3	x	x
2	x	x
1	x	x

#	PART	DESCRIPTION
F	x	xx/xx/xx
E	x	xx/xx/xx
D	x	xx/xx/xx
C	x	xx/xx/xx
B	x	xx/xx/xx
REV	DESCRIPTION	DATE

General Treatment Products, Inc.
 PO Box 8697, Brea, CA 92822
 Phone: 714) 257-9165 <http://www.gtpcompany.com>
 Fax: 714) 257-9215 customerservice@gtpcompany.com

Date: 12/01/15 Scale: NTS Rev.: A

Description:
15GL RESIDENTIAL GLYCOL FEEDER

Model:
GRE15-E7-4

NOTICE: This drawing and it's contents are for the specific use of GTP customers only. It is not to be duplicated or copied without expressed written concent or General Treatment Products, Inc. We reserve the right to modify this drawing without notice.

“GRE” Series

RESIDENTIAL GLYCOL PACKAGE

Specification WRTNGLYRESE

Written: November 2015



1.0 DESCRIPTION

1.1 AUTOMATIC RESIDENTIAL GLYCOL FEED PACKAGE: Shall be manufactured by General Treatment Products, or approved equal and consist of a polyethylene tank, 4” threaded cover, low level float switch, 115 VAC motor driven gear pump, pressure switch, check valve and strainer, LED status indicator lights, PVC plumbing and pressure indicator.

2.0 MATERIALS

2.1 TANK AND FRAME: Polyethylene tank shall be industrial grade with a minimum wall thickness of .25”. Tank shall have threaded 4” man way, molded in gallon markers and molded in hinge buds for lid. Pump and plumbing assembly mounts to top of tank, hardware included. Tank comes complete with equipment cover with lockable hasp to prevent tampering. Tank Volume Options:

- Code “07” 7 Gallon Tank
- Code “15” 15 Gallon Tank

2.2 PUMP: Glycol pump shall come complete with suction valve and strainer assembly and shall be 115 VAC, 1 Phase, 50/60 Hertz, totally enclosed type and be hard wired control circuit. Pump output options:

- Code “E7” 1.0GPM / 50PSI Polypro Diaphragm Pump

2.3 PRESSURE SWITCH: Pressure switch and control circuit shall be designed for pressures from 6 to 30PSI and be adjustable with easy to use adjustment knob that requires no tools. Pressure switch shall turn on pump on falling pressure and turn off pump on rising pressure. Pressure Switch Options:

- Code “4” 6-30 cut-in and have a non-adjustable, 10-20% pressure differential
- Code “5” 20-120 cut-in and have a non-adjustable, 10-20% pressure differential

2.4 CONTROLS and INDICATOR LIGHTS: All wiring shall be of ample gauge for supply voltage and amp draw. Controls shall be, but not limited to, pressure control switch, float switch, control relay, green power indicator and red low level indicator with pump interlock. All indicator lights shall be LED and designed for continuous use.

2.5 DISCHARGE MANIFOLD: Discharge manifold is made from carbon steel and will be mounted securely to the top of the system. Manifold is to include brass tubing pump connection, pressure switch port, pressure gauge port and ¼” brass mixing valve. System connection is ½” NPT.

2.6 CHECK VALVE AND STRAINER: Check valve shall be integral diaphragm type with cracking pressure of less than 1 PSI. Strainer mesh shall be less than 20 Mesh.

2.7 LOW LEVEL SWITCH: Polypropylene low level switch with PVC fitting shall be interlocked with 5 AMP relay and stop glycol feed pump when liquid reaches factory set level. Low level circuit will then turn on RED LED indicator light and initiate 115 VAC 5 amp circuit.

2.8 PRESSURE AND TEMPERATURE LIMITATIONS: Shall have maximum operating perimeters of 20PSI @ 85F.

2.9 OPTIONAL FEATURES: Select from the following.

- Code “230VAC” 230 Volts, 1 Phase, 50/60 Hertz input voltage
- Code “MNT” Polyethylene molded wall mounting bracket (factory recommended)
- Code “ALM” 95 decibel audible alarm
- Code “DC” Remote dry contact on low level

“GRE” Series
RESIDENTIAL GLYCOL PACKAGE
Specification WRTNGLYRESE
Written: November 2015



3.0 WARRANTY

General Treatment Products Glycol Feed Systems are guaranteed for two years from date of shipment against manufacturing defects in material and workmanship which develop in the service for which they are designed. We will repair or replace a defective part of this system when returned to our factory with freight prepaid; providing that the part is found to be defective upon inspection. We assume no liability for labor and/or other expenses in making repairs or adjustments.