

ARCHITECHNICS, INC.  
510 MAINE STREET  
QUINCY, ILLINOIS 62301

PROJECT NO. 5502

ADDENDUM NO. 1.  
ISSUED January 28, 2016

Project: KITCHEN RENOVATION AT:  
LAMPE HI-RISE (IL 16-4)  
QUINCY HOUSING AUTHORITY  
QUINCY, ADAMS COUNTY, ILLINOIS

This addendum becomes a part of the bidding and contract documents and modifies the drawings and specifications dated January 8, 2016. Acknowledge receipt of this addendum by noting such on the Contractor's Proposal (Bid) Form.

FAILURE TO DO SO MAY SUBJECT BIDDER TO DISQUALIFICATION

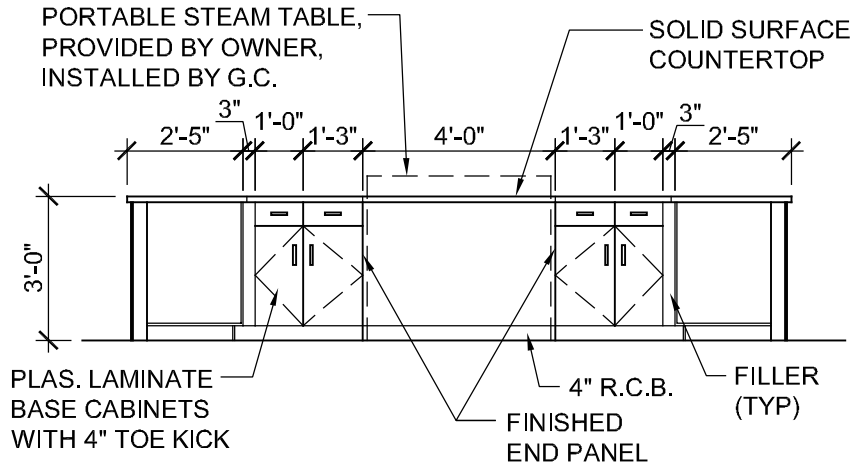
This addenda and all future addendums with a Plan Holders List will be also be posted on the website of Architechnics, Inc. and updated daily. Check the Current Projects tab on the site:  
[www.architechnicsinc.com](http://www.architechnicsinc.com)

<u>ITEM</u>	<u>DESCRIPTION</u>	
<b><u>DRAWINGS:</u></b>		
G1	Delete	Delete detail G1-1 – Construction Sign from the project.
A1	Clarify	Existing wood casing at kitchen wall opening to be removed and replaced, paint finish.
A1	Clarify	Match color and height of existing wall base, verify at project site.
A1	Clarify	Dumpster for project may be placed at the west end of the circle drive; coordinate final placement with Owner.
Details A1-2, A1-3	Revise	Corner base cabinets revised from 1'-3" to 1'-0", see attached sketch ASK1.
MEP1	Add	Plumbing Contractor has the option install above ground grease interceptor exposed under sink. Modify all piping as required for a complete install.  Electrical Contractor provide and install Phillips LINCS100-L28 LED task light under cabinet centered above 3 well sink. Extend power from nearby circuit and install wall switch left of hand sink.  Electrical Contractor relocate existing receptacle and wall switch from above new 3 well sink to the left side of hand sink.

Coordinate wall patch/repair with general contractor.

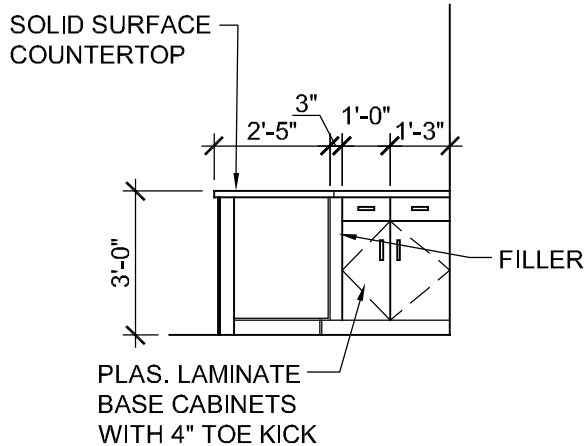
This Addendum Consists of 2 pages; Sketch ASK1; Current Plan Holders' List; Pre-Bid Attendance Record.

**NOTE:**  
 VERIFY STEAM TABLE SIZE PRIOR  
 TO CONSTRUCTION - HOLD  
 COUNTERTOP EDGE BACK AT  
 TABLE OPENING AS REQUIRED



## INTERIOR ELEVATION A1-2

SCALE: 1/4" = 1'-0"



## INTERIOR ELEVATION A1-3

SCALE: 1/4" = 1'-0"

DATE  
 1/28/2016

PROJ. NO.  
 5502

DWG. NO.  
**ASK1**

# RECORD OF PLANS AND SPECIFICATIONS

NAME OF PROJECT QHA Kitchen Renovation at Lampe Hi-Rise (IL 16-4)

PROJECT NO. 5502 DATE BIDS DUE Tuesday, February 09, 2016 DEPOSIT \$50.00

TIME AND PLACE OF LETTING 1 PM Quincy Housing Authority  
540 Harrison Street, Quincy, IL 62301

\*\*\* Indicates Potential Bidding Contractor Pre-Bid Meeting: 10 AM, Thursday 1/21/16 at Lampe Hi-Rise

CONTRACTOR NAME ADDRESS/PHONE/EMAIL	COPY NO.	DATE RECEIVED	DATE RETURNED	DEPOSIT RECEIVED	DEPOSIT RETURNED
Architect	#1				
Owner	#2				
Color Your World  217-656-4248	#3	1/12/2016		1/12/2016	
*** Fischer Builders, Inc. 814 Ohio Quincy, IL 62301 217-222-4322 Fax 217-222-2393 ryan@fischerbuilders.com	#4	1/12/2016		on file	
Entrup Painting and Drywall PO Box 5156 Quincy, IL 62305 217 222-2220 Fax: 217 224-2220 entrupdrywall@sbcglobal.net	#5	1/12/2016		on file	
Mac's Ltd. Electrical Contractor PO Box 606 Quincy, IL 62306 217 223-8268 Fax: 217 223-0733 macsltd@adams.net	#6	1/13/2016		on file	
Keck Heating & A/C 431 State Street Quincy, IL 62301 217-223-5325 Fax 217-223-8325 keckhvac@sbcglobal.net	#7	1/13/2016		on file	
Peters Heating & A/C 4520 Broadway Quincy, IL 62305 217-222-1368 Fax 217-222-1088 jhoward@petershvac.net	#8	1/13/2016		on file	
*** Waterkotte Construction 2630 Wisman Lane Quincy, IL 62305 217-222-5413 Fax 217-222-9155 Jterwelp@waterkotteconstinc.com	#9	1/13/2016		on file	
*** Trotter General Contracting, Inc 820 W Jackson St. Macomb, IL 61455 309-836-5040 Fax: 309-836-3756 timtgc@yahoo.com	10 & D	1/13/2016		on file	

# RECORD OF PLANS AND SPECIFICATIONS

NAME OF PROJECT

QHA Kitchen Renovation at Lampe Hi-Rise (IL 16-4)

PROJECT NO.	5502	DATE BIDS DUE	Tuesday, February 09, 2016	DEPOSIT:	\$50.00
CONTRACTOR NAME ADDRESS/PHONE/EMAIL	COPY NO.	DATE RECEIVED	DATE RETURNED	DEPOSIT RECEIVED	DEPOSIT RETURNED
Jansen Electric 4421 N. 60th Street Quincy, IL 62305 217-223-4016 Fax 217-223-8046 jansen@adams.net	#11	1/14/2016		on file	
*** Leander Construction 24472 North County Highway 6 Canton, IL 61520 309 647-7400 Fax: 309 647-7401 todd@leanderconstructioninc.com	12 & digital	1/14/2016		1/14/2016	
Brown Electric Const. Co. 1309 Watts Lane Quincy, IL 62305 217-222-3483 Fax: 217-222-7733 MATTK@brownelectric.net	D	1/14/2016		1/14/2016	
McGraw Hill - Dodge Plan Room 6330 Knox Industrial Dr. St. Louis, MO 63139 314-781-3190 Fax: 314-645-2643 kazi.hutchison@mhfi.com	D	1/14/2016		1/14/2016	
*** Laverdiere Construction 4055 W. Jackson Macomb, IL 61455 309-837-1258 Fax 309-833-4993 mlynn@lavconinc.com	13 & D	1/14/2016		1/14/2016	
A.H. Kemner & Sons P.O.Box 16 Quincy, IL 62301 217 222-1559 Fax: 217 222-0131 paul@kemnerpainting.com	#14	1/14/2016		on file	
Marold Electric Co. 1925 Sherwood Lake Quincy, IL 62301-9050 217-222-6267 Fax: 217-222-6289 maroldelectric@comcast.net	#15	1/14/2016		on file	
Twaddle Plumbing 311 Sumac St Payson, IL 62360 217-430-1881  c.twaddle@yahoo.com	#16	1/14/2016		on file	
Johnson Painting 2832 Ghost Hollow Rd. Quincy, IL 62301 217-224-9023 Fax: 217 224-7050 mhorman1200@sbcglobal.net	#17	1/15/2016		on file	
Alarm Systems, Inc 510 Maine Street Quincy, IL 62301 217-222-2280  paul@asiquincy.com	#18	1/15/2016		on file	

# RECORD OF PLANS AND SPECIFICATIONS

NAME OF PROJECT

QHA Kitchen Renovation at Lampe Hi-Rise (IL 16-4)

PROJECT NO. **5502**      DATE BIDS DUE      Tuesday, February 09, 2016      DEPOSIT:      **\$50.00**

CONTRACTOR NAME ADDRESS/PHONE/EMAIL	COPY NO.	DATE RECEIVED	DATE RETURNED	DEPOSIT RECEIVED	DEPOSIT RETURNED
*** R.L. Vollintine Construction 1621 E. Georgia Ave Springfield, IL 62703 217-522-6963 Fax: 217-522-6964 Shane@rlvollintineconst.com	19 & 21	1/18/2016		1/18/2016	
Sparrow Plumbing 313 Delaware Quincy, IL 62301 217 223-9289 Fax: 217 223-9880 <a href="mailto:bird@adams.net">bird@adams.net</a>	#20	1/18/2016		on file	
iSqFt IL 420 West Huron Street Chicago, IL 60654 800-364-2059 ex: 8224 Fax: 866-570-8187 <a href="mailto:illinois@isqft.com">illinois@isqft.com</a>	D	1/18/2016		1/18/2016	
*** Schlipman Construction Co. 2529 Larch Rd. Quincy, IL 62301 217-222-0933 Fax: 217-222-1552 <a href="mailto:scicorp@adams.net">scicorp@adams.net</a>	#22	1/20/2016		on file	
Royalty Electric 215 S 4th Quincy, IL 62301 217-222-2027 Fax 217-222-2096 <a href="mailto:royalty1@adams.net">royalty1@adams.net</a>	#23	1/20/2016		on file	

